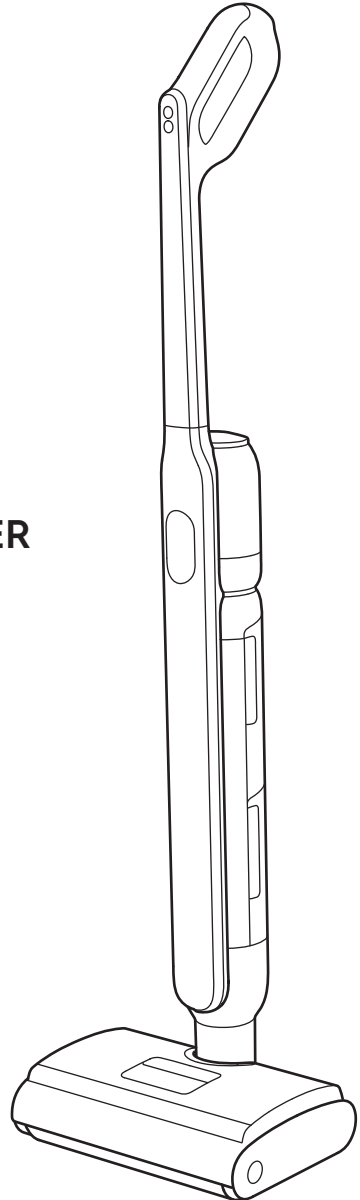




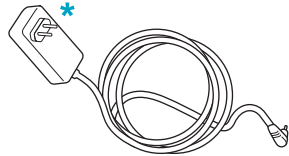
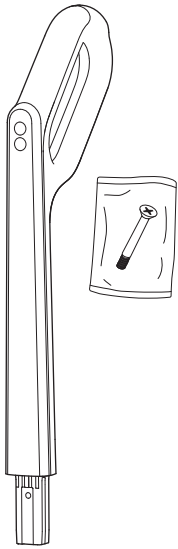
# Electrolux

## Instruction Book

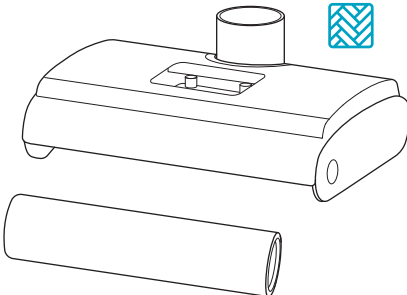
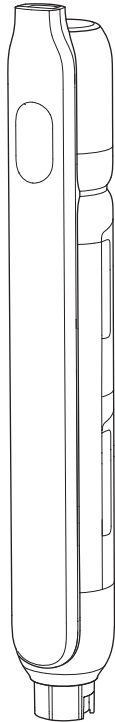
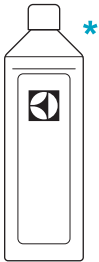
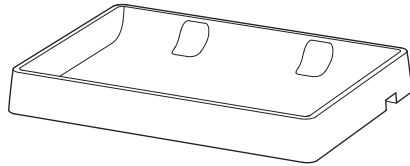
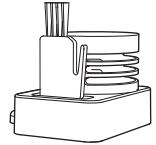
### 500 WET CORDLESS CLEANER



\*Actual product may differ from illustration.



P824-174060-EU



\*

Accessories may vary from model to model. | Les accessoires peuvent varier d'un modèle à l'autre. | Ausstattung und Zubehör kann je nach Modell variieren. | Accessoires kunnen per model verschillen. | Tilbehøren kan variere mellan olika modeller. | Lisävarusteet voivat vaihdella malleittain. | Tilbehør kan variere fra model til model. | Tilbehør kan variere fra modell til modell. | Los accesorios pueden variar según el modelo. | Os acessórios podem variar de modelo para modelo. | Gli accessori possono variare da modello a modello. | Τα εξαρτήματα ίσως διαφέρουν από μοντέλο σε μοντέλο. | Lisad võivad mudelist mudelisse varieeruda. | Priedai kitiems modeliams gali skirtis. | Akcesoria mogą się różnić w zależności od modelu. | Piederumi katram modelim var atšķirties. | Příslušenství se může u jednotlivých modelů lišit. | Dodatki sa môžu lišiti v závislosti od modelu. | Dodaci se mogu razlikovati kod određenih modela. | Nastavki se lahko glede na model razlikujejo. | Принадлежности могут отличаться от модели к модели. | Ці компоненти можуть відрізнятися залежно від моделі. | tartozékok típusonként eltérőek lehetnek. | Accessoriele pot diferi de la model la model. | Принадлежностите може да се различават според различните модели. | Aksesuarlar, modelden modele farklılık gösterebilir. | إدخال ليدوم نم فلتخت دقت اقفرملا. | Dodatci mogu da se razlikuju u zavisnosti od modela uosivachva. | อุปกรณ์เสริมอาจแตกต่างกันไปตามรุ่น. | 仅特定机型提供 | 약세사리는 모델마다 다를 수 있습니다. | Els accessoris poden canviar segons el model. | ვრცელდება მხოლოდ გარკვეულ მოდელებზე.



Carpet



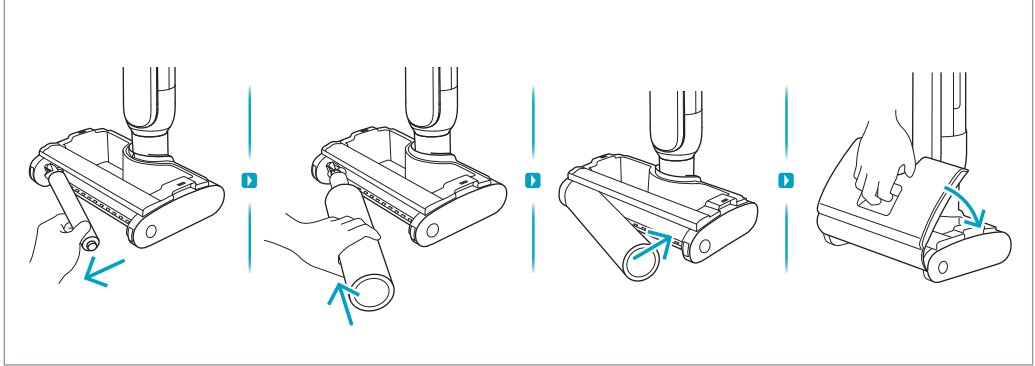
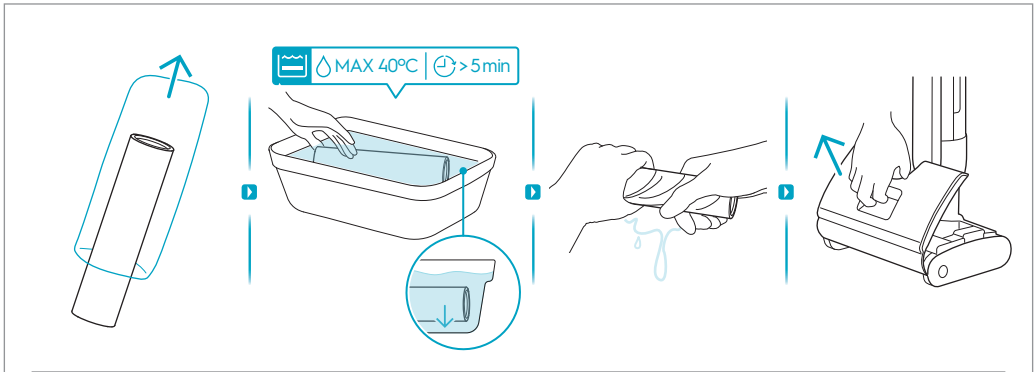
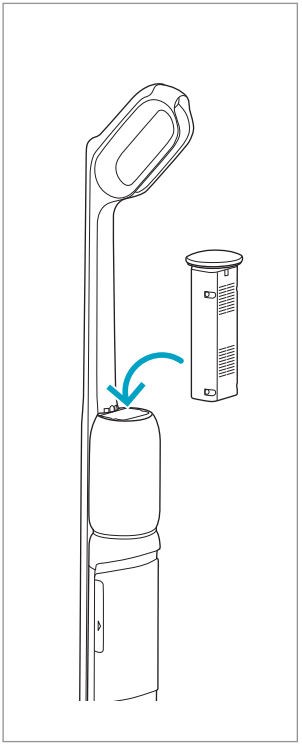
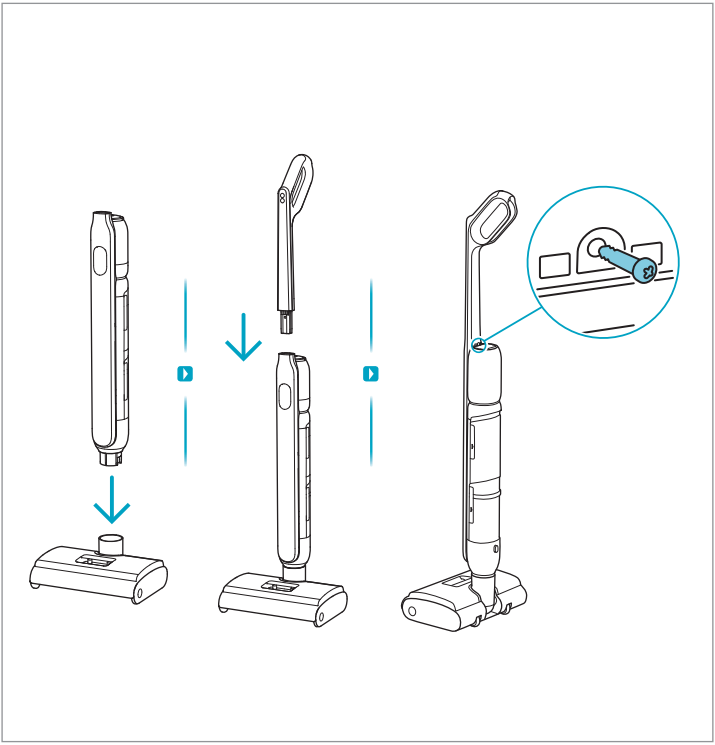
Hard Floor

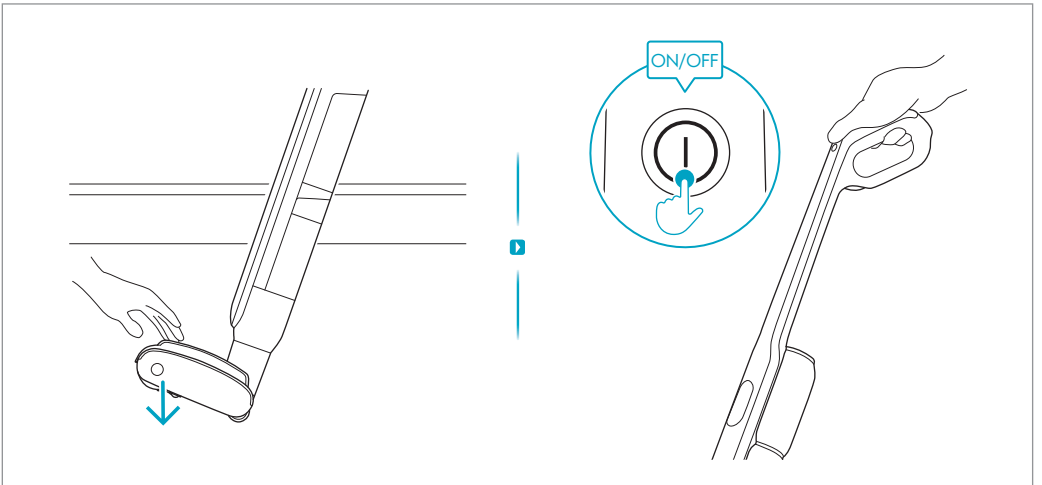
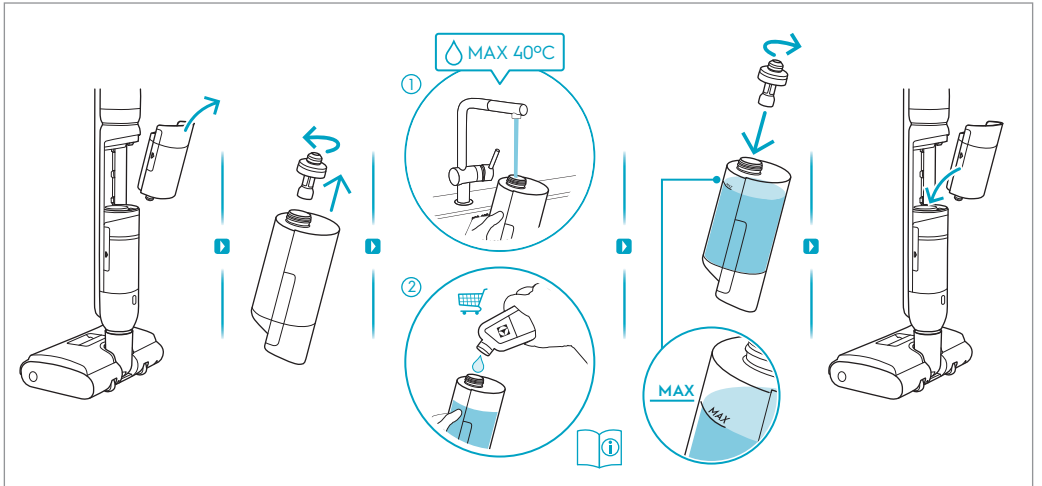
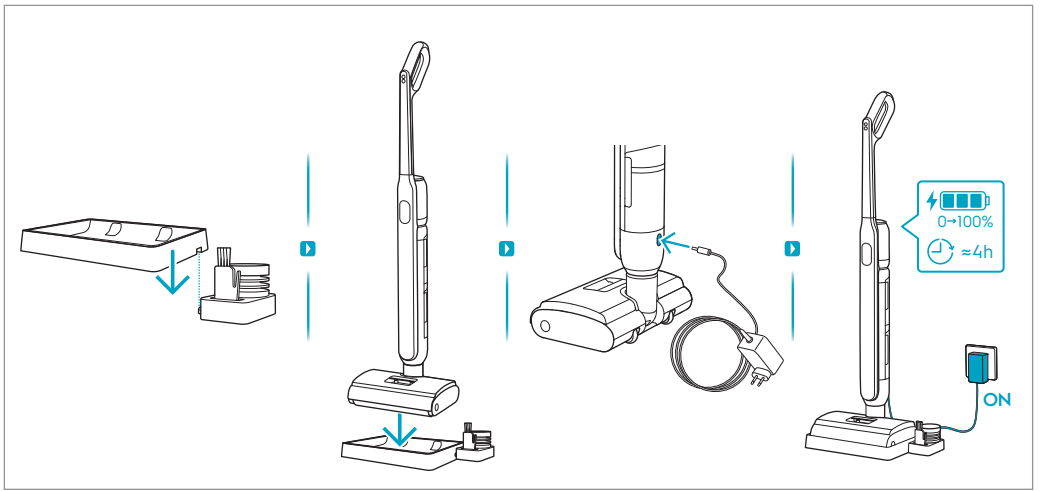


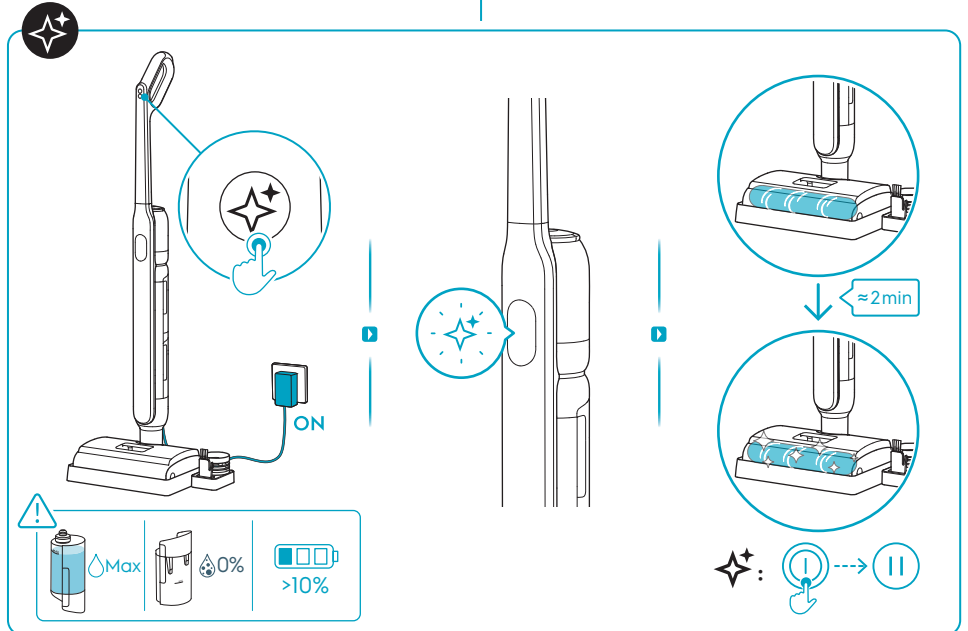
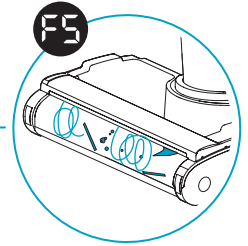
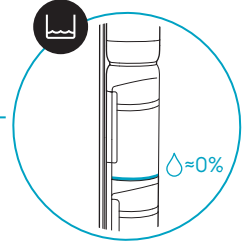
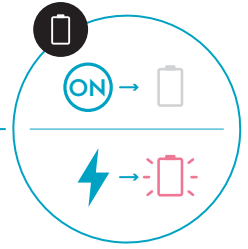
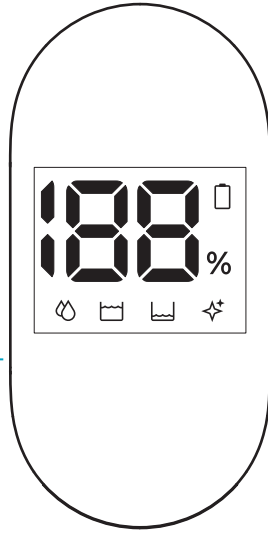
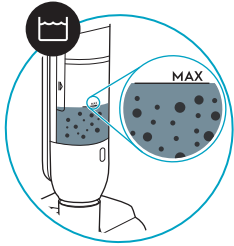
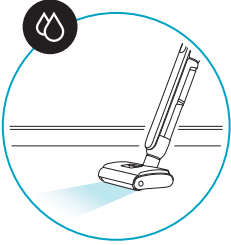
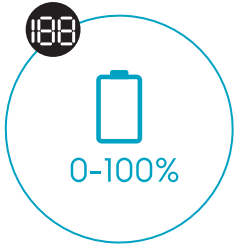
For indoor use only.

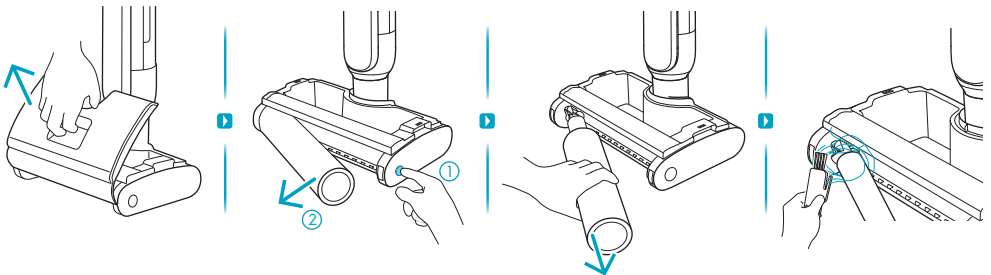
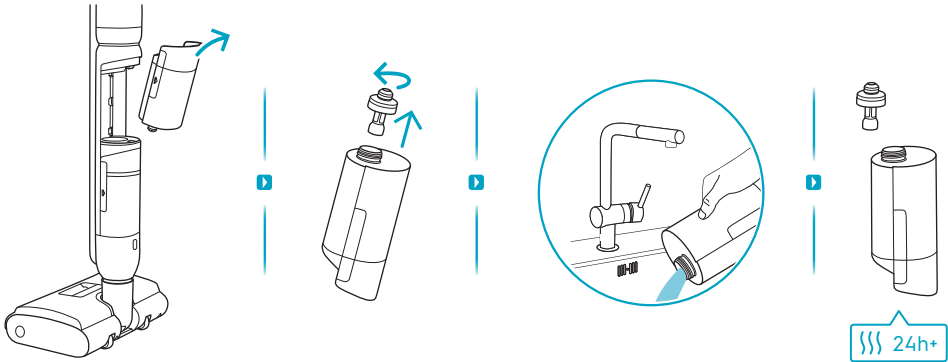
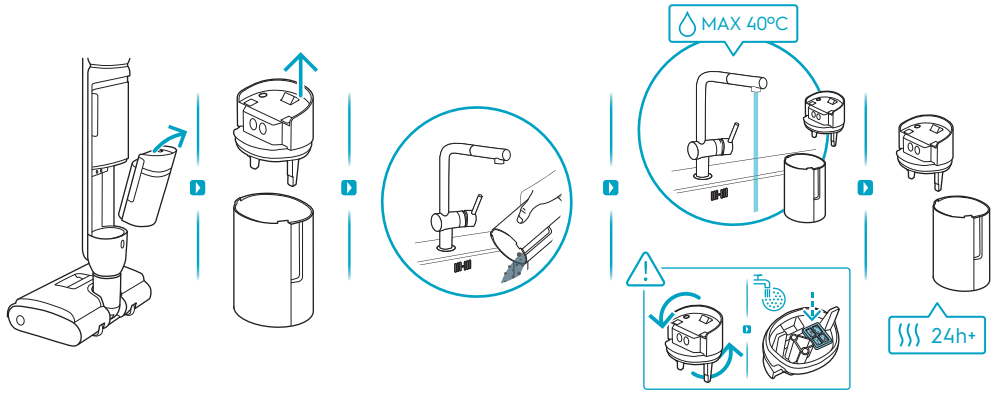
Note: This instruction book should be read together with safety precaution booklet.

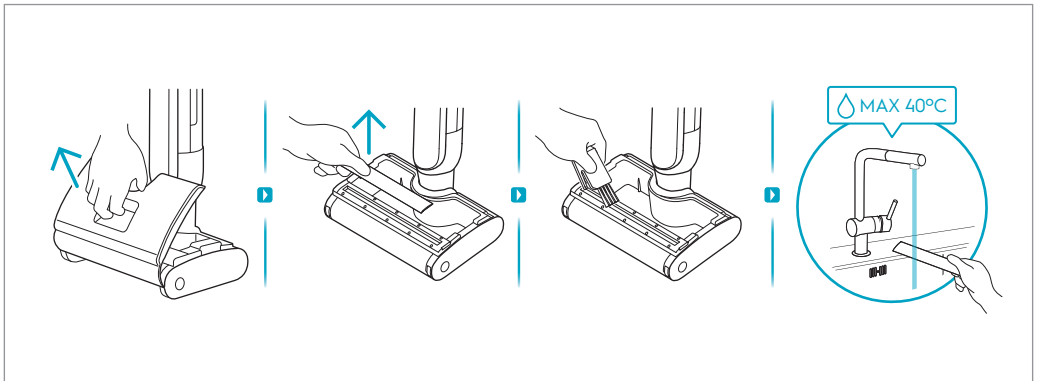
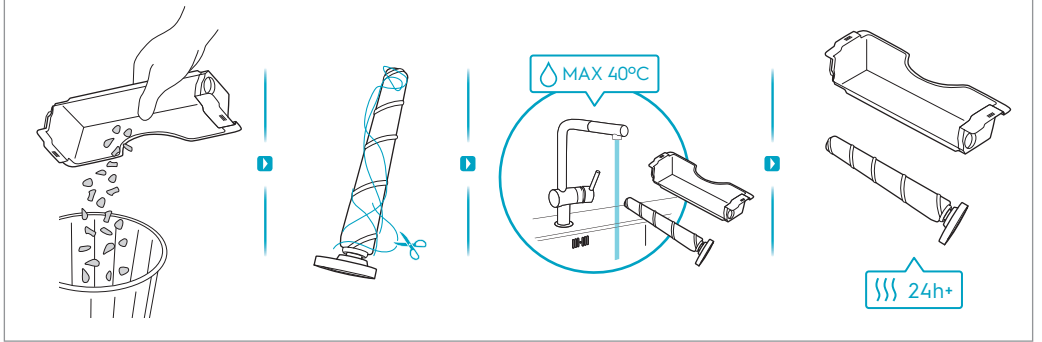
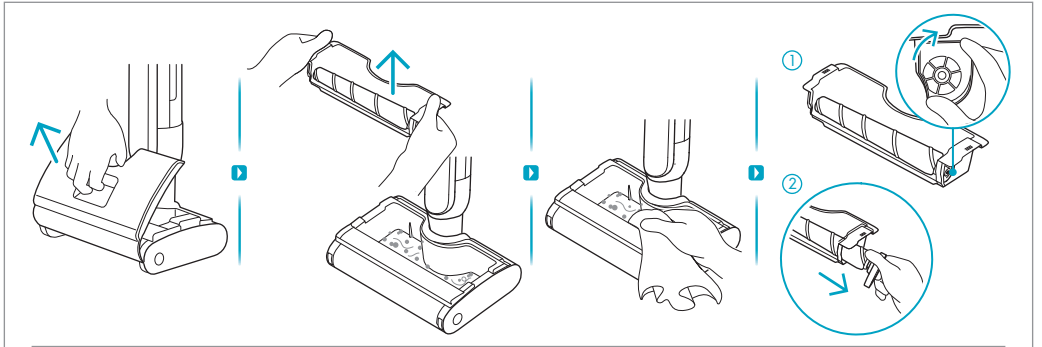
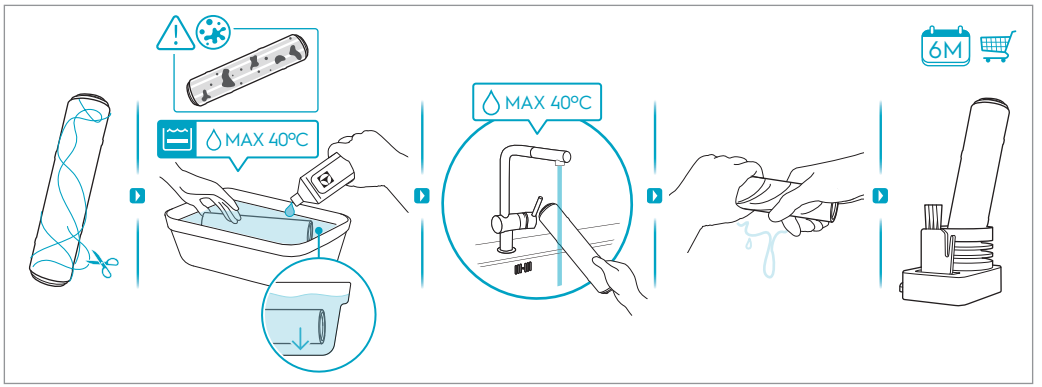
www.electrolux.com

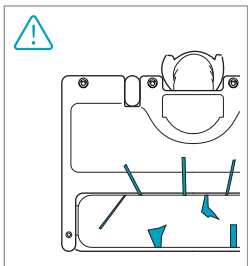
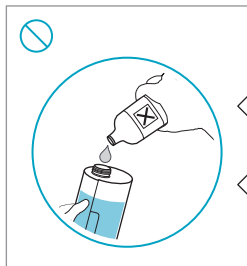
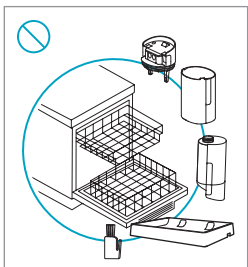
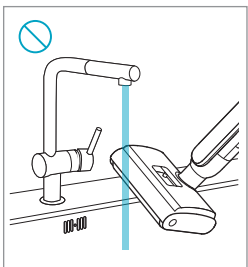
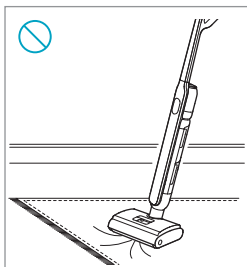
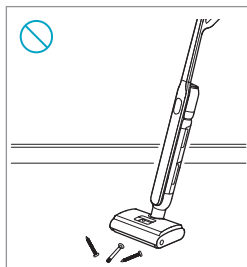
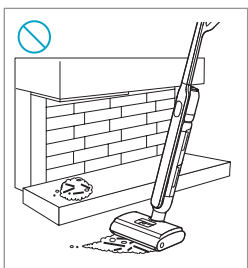
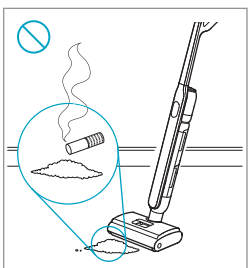
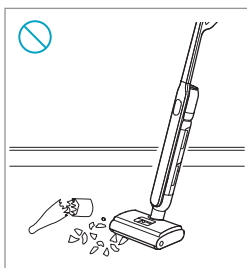
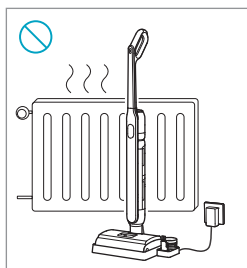








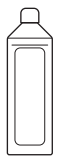




[www.shop.electrolux.com](http://www.shop.electrolux.com)



**Brush Roll**  
ZE205  
900 923 877



**Floor Cleaner**  
FLD1  
900 923 782

\*Accessories may vary by market



Points de collecte sur [www.quefairedemesdechets.fr](http://www.quefairedemesdechets.fr)  
Privilégiez la réparation ou le don de votre appareil !

## Troubleshooting

Before entrusting the maintenance department, please check the following points:

Common issues	Possible Cause	Solution
The appliance does not work.	The appliance is out of battery or its battery level is low.	Fully charge its battery before use.
	The appliance is overheating due to blockage and the high-temperature cut-off has activated.	Clear the blockage and wait until the temperature returns normal.
	The Dirty Water Tank is full.	Empty the Dirty Water Tank.
	The Dirty Water Tank not installed properly.	Reinstall the Dirty Water Tank.
Low suction power	Dust bin may be full or filters have been clogged or are dirty.	Empty dust bin and wash filters according to instruction manual.
	There are some foreign objects in the tube and the suction inlet or the tube and the suction inlet are blocked.	Clean the tube and the suction inlet.
Abnormal noise from the appliance	The Dirty Water Tank is full.	Empty the Dirty Water Tank.
	The suction inlet is blocked.	Clear any blockage in the suction inlet.
Display status while charging	<b>The display screen does not light up:</b> The charging adapter is not plugged in or has poor contact.	Check that the adaptor is properly connected to charging stand.
	<b>Steady on:</b> Battery is fully charged.	Check whether the battery pack is fully charged.
No water is coming out of the appliance.	The Clean Water Tank is not properly installed in place, or the water in the Clean Water Tank is insufficient.	Reinstall or fill the Clean Water Tank.
Brush roll doesn't rotate.	The brush roller may be jammed by hair and large debris.	Remove brush roller and clean brush rollers according to instruction manual.
	Roller brush is pressed by heavy objects.	Remove the heavy objects.

Common issues	Possible Cause	Solution
Self-cleaning fails.	The brush roller may be jammed by hair and large debris.	Open the brush roller cover to check and clean the brush roller.
	The appliance is not being charged.	Make sure the appliance is being charged before enabling the self-cleaning function.
	Self-cleaning cannot be enabled if the battery level is lower than 10%.	The self-cleaning function can only be enabled when the appliance is being charged and the battery level is more than 10%.
	The Dirty Water Tank is not properly installed in place, or the Dirty Water Tank is full.	Reinstall or empty the Dirty Water Tank.
	The Clean Water Tank is not properly installed in place, or the water in the Clean Water Tank is insufficient.	Fill or re-install the Clean Water Tank.
Insufficient service time after charging	Insufficient charging time	Fully charge its battery before use.
	Battery aging	Replace or purchase a new battery.
The unit automatically shuts down several seconds after startup	The brush roller is dry	The brush roller must be thoroughly saturated.
Abnormal noise from brush roller during operation	The roller brush is dry or insufficiently wet	The brush roller must be thoroughly saturated.
Water streaks or pooling remains on the floor	The roller brush is dry or insufficiently wet	The brush roller must be thoroughly saturated.