

FAVORIT 65000 I

EN DISHWASHER
HU MOSOGATÓGÉP
PL ZMYWARKA

USER MANUAL
HASZNÁLATI ÚTMUTATÓ
INSTRUKCJA OBSŁUGI

2
23
45

FOR PERFECT RESULTS

Thank you for choosing this AEG product. We have created it to give you impeccable performance for many years, with innovative technologies that help make life simpler – features you might not find on ordinary appliances. Please spend a few minutes reading to get the very best from it.

ACCESSORIES AND CONSUMABLES

In the AEG webshop, you'll find everything you need to keep all your AEG appliances looking spotless and working perfectly. Along with a wide range of accessories designed and built to the high quality standards you would expect, from specialist cookware to cutlery baskets, from bottle holders to delicate laundry bags...



Visit the webshop at:
www.aeg-electrolux.com/shop

CONTENTS

- 4 Safety information
- 7 Product description
- 8 Control panel
- 10 Use of the appliance
- 11 Setting the water softener
- 12 Use of dishwasher salt
- 13 Use of detergent and rinse aid
- 14 Multitab function
- 14 Loading cutlery and dishes
- 15 Washing programmes
- 16 Select and start a washing programme
- 18 Care and cleaning
- 19 What to do if...
- 21 Technical data
- 22 Environment concerns

The following symbols are used in this user manual:



Important information concerning your personal safety and information on how to avoid damaging the appliance.



General information and tips



Environmental information

Subject to change without notice



SAFETY INFORMATION

Before the installation and use, read this manual carefully:

- For your safety and the safety of your property.
- To help the environment.
- For the correct operation of the appliance.

Always keep these instructions with the appliance also if you move or give it to a different person.

The manufacturer is not responsible if an incorrect installation and use causes damage.

Children and vulnerable persons safety

- Do not let persons, children included, with reduced physical sensory, reduced mental functions or lack of experience and knowledge to use the appliance. They must have supervision or instruction for the operation of the appliance by a person who is responsible for their safety.
- Keep all packaging away from children. There is the risk of suffocation or injury.
- Keep all detergents in a safe area. Do not let the children touch the detergents.
- Keep children and pets away from the appliance when the door is open.

General safety

- Do not change the specifications of this appliance. There is the risk of injury and damage to the appliance.
- Obey the safety instructions from the detergent manufacturer to prevent burns to eyes, mouth and throat.
- Do not drink the water from the appliance. Particles of detergent can stay in your appliance.
- Do not keep the appliance door open without supervision. This to prevent injury and to fall on an open door.
- Do not sit or stand on the open door.

Use

- The appliance is only for domestic use. Do not use the appliance for other uses to prevent injury to persons and damage to property.
- Only use the appliance to clean accessories that are applicable for dishwashers.
- Do not put flammable products or items that are wet with flammable products in, near or on the appliance. Risk of explosion or fire.
- Put the knives and all items with sharp points in the cutlery basket with their points down. If not, put in a horizontal position in the upper basket or in the knife basket. (Not all models have the knife basket).
- Use only specified products for dishwashers (detergent, salt, rinse aid).
- Types of salt that are not specified for dishwashers can cause damage to the water softener.
- Fill the appliance with salt before you start a washing programme. Remaining salt in the appliance can cause corrosion or make a hole in the bottom of the appliance.

- Do not fill the rinse aid dispenser with other products than the rinse aid, (dishwasher cleaning agent, liquid detergent). This can cause damage to the appliance.
- Make sure that the spray arms can move freely before you start a washing programme.
- The appliance can release hot steam if you open the door while a washing programme operates. There is a risk of skin burns.
- Do not remove the dishes from the appliance until the washing programme is completed.

Care and cleaning

- Before you clean the appliance, deactivate it and disconnect the mains plug from the mains socket.
- Do not use flammable products or products that can cause corrosion.
- Do not use the appliance without the filters. Make sure that the installation of the filters is correct. An incorrect installation causes unsatisfactory washing results and damage to the appliance.
- Do not use spray water or steam to clean the appliance. Risk of electrical shock and damage to the appliance.

Installation

- Make sure that the appliance is not damaged. Do not install or connect a damaged appliance, contact the supplier.
- Remove all packaging before you install and use the appliance.
- Only a qualified person must do the electrical connection, the plumbing and the installation of the appliance. This to prevent the risks of structural damage or injury.
- Make sure that the mains plug is disconnected from the mains socket during installation.
- Do not drill into the sides of the appliance to prevent damage to hydraulic components and electrical components.
- **Important!** Obey the instructions in the template supplied with the appliance:
 - To install the appliance.
 - To assemble the door panel.
 - To connect to the water supply and drain.
- Make sure that the appliance is installed below and adjacent to safe structures.

Frost precautions

- Do not install the appliance where the temperature is less than 0 °C.
- The manufacturer is not responsible for frost damage.

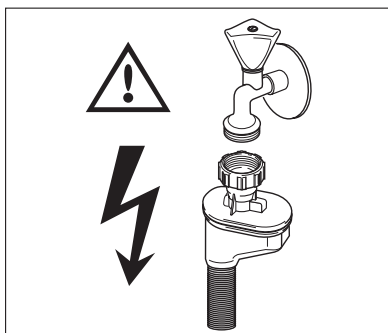
Water connection

- Use new hoses to connect the appliance to the water supply. Do not use used hoses.
- Do not connect the appliance to new pipes or pipes not used for a long time. Let the water flow for some minutes, then connect the inlet hose.
- Make sure not to squash or cause damage to the water hoses when you install the appliance.
- Make sure that the water couplings are tight to prevent a water leakage.
- The first time you use the appliance, make sure that the hoses do not have water leaks.

- The water inlet hose has a safety valve and a double sheath with an inner mains cable. There is pressure in the water inlet hose only when the water flows. If there is a leak in the water inlet hose, the safety valve interrupts the flow of water.
 - Be careful when you connect the water inlet hose:
 - Do not put the water inlet hose or the safety valve in water.
 - If the water inlet hose or the safety valve are damaged, immediately disconnect the mains plug from the mains socket.
 - Contact the service centre to replace the water inlet hose with safety valve.

**WARNING!**

Dangerous voltage.



Electrical connection

- The appliance must be earthed.
- Make sure that the electrical information on the rating plate agrees with the power supply.
- Always use a correctly installed shockproof socket.
- Do not use multiple plugs and extension cables. There is a risk of fire.
- Do not replace or change the mains cable. Contact the service centre.
- Make sure not to squash or cause damage to the mains plug and cable behind the appliance.
- Make sure that there is access to the mains plug after the installation.
- Do not pull the mains cable to disconnect the appliance. Always pull the mains plug.

Service centre

- Only a qualified person can repair or work on the appliance. Contact the service centre.
- Use only original spare parts.

To discard the appliance

- To prevent the risk of injury or damage:
 - Disconnect the mains plug from the mains socket.
 - Cut off the mains cable and discard it.

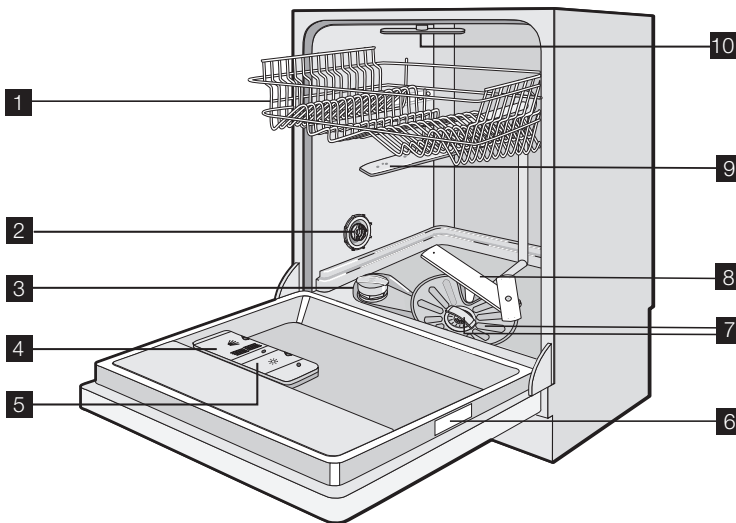
- Remove the door catch. This prevents children or pets to be closed in the appliance. There is a risk of suffocation.
- Discard the appliance at the local waste disposal centre.

**WARNING!**

The dishwasher detergents are dangerous and can cause corrosion !

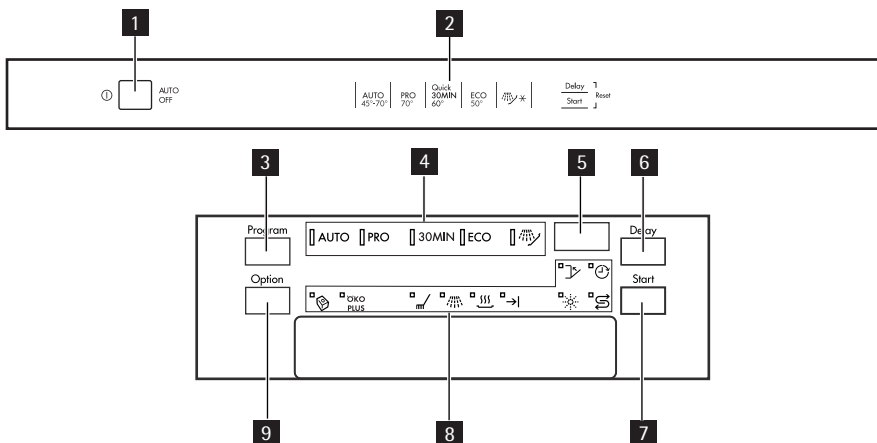
- If an accident occurs with these detergents, contact immediately a physician.
- If the detergent gets into the mouth, contact immediately a physician.
- If the detergent gets into the eyes, contact immediately a physician and clean the eyes with water.
- Keep dishwasher detergents in a safe area and out of children touch.
- Do not keep the appliance door open when there is detergent in the detergent dispenser.
- Fill the detergent dispenser only before you start a washing programme.

PRODUCT DESCRIPTION



- 1 Upper basket
- 2 Water hardness dial
- 3 Salt container
- 4 Detergent dispenser
- 5 Rinse aid dispenser
- 6 Rating plate
- 7 Filters
- 8 Lower spray arm
- 9 Upper spray arm
- 10 Top spray arm

CONTROL PANEL



- 1** On/off button
- 2** Programme guide
- 3** Program button
- 4** Programme indicators
- 5** Display
- 6** Delay button
- 7** Start button
- 8** Indicators
- 9** Option button

Indicators

	Multitab indicator. It comes on when you activate the function.
	ÖKO PLUS indicator. It comes on when you activate the function.
	Washing phase indicator. It comes on when the washing phase operates.
	Rinsing phase indicator. It comes on when the rinsing phases operate.
	Drying phase indicator. It comes on when the drying phase operates.
	End indicator. It comes on when the washing programme is completed.
	Rinse aid indicator. It comes on when it is necessary to fill the rinse aid dispenser. ¹⁾
	Salt indicator. It comes on when it is necessary to fill the salt container. ¹⁾ After you fill the container, the salt indicator can stay on for some hours. This does not have an unwanted effect on the operation of the appliance.
	Delay indicator. It comes on when you activate the delay start.

Indicators



Door indicator. It comes on when the door is open or not closed correctly.

- 1) When the salt container and/or the rinse aid dispenser are empty, the related indicators do not come on while a washing programme operates.

On/off button

Press this button to activate or deactivate the appliance.

After ten minutes from the end of the washing programme, the AUTO OFF function automatically deactivates the appliance. This helps to decrease energy consumption.

Programme guide

This guide helps you in the selection of the washing programme.

Program button

Press this button again and again until the indicator of the washing programme comes on. Refer to 'Washing programmes'.

Display

The display shows:

- The electronic adjustment of the level of the water softener
- The activation and deactivation of the rinse aid dispenser (only with the multitab function on)
- The washing programme time
- The remaining time to the end of the washing programme
- The end of a washing programme (the display shows a zero)
- The delay start time
- The alarm codes.

Delay button

Press this button again and again to delay the start of the washing programme from 1 to 24 hours.

Start button

Press this button to start:

- The washing programme
- The countdown of the delay start.

Option button

Press this button to set the functions.

When a function is activated, the related indicator comes on.

Option button	Multitab	ÖKO PLUS
Press one time	ACTIVATED	DEACTIVATED
Press two times	DEACTIVATED	ACTIVATED

Option button	Multitab	ÖKO PLUS
Press three times	ACTIVATED	ACTIVATED
Press four times	DEACTIVATED	DEACTIVATED

Functions

Multitab

If you use the combi detergent tablets ('3 in 1', '4 in 1', '5 in 1'), use the multitab function. Refer to 'Multitab function'.

ÖKO PLUS

This function decreases the temperature in the drying phase. The power consumption decreases by 25%.

The dishes can be wet at the end of the programme when you open the appliance door. We recommend that you keep the door ajar and let the dishes dry.

Setting mode

The appliance must be in setting mode for these operations:

- To set and start a washing programme.
- To set and start a delay start.
- To adjust electronically the level of the water softener.
- To deactivate or activate the rinse aid dispenser (only with the multitab function on).

Activate the appliance. The appliance is in setting mode when:

- All the programme indicators come on.
- The display shows two horizontal status bars.

Activate the appliance. The appliance is not in setting mode when:

- Only one programme indicator comes on.
- The display shows the time of the washing programme or of the delay start.
 - It is necessary to cancel the programme or the delay start to go back to the setting mode. Refer to 'Select and start a washing programme'.

USE OF THE APPLIANCE

1. Be sure that the set level of the water softener agrees with the water hardness in your area. If not, adjust the water softener.
2. Fill the salt container with dishwasher salt.
3. Fill the rinse aid dispenser with rinse aid.
4. Load cutlery and dishes into the appliance.
5. Set the correct washing programme for the type of load and soil.
6. Fill the detergent dispenser with the correct quantity of detergent.
7. Start the washing programme.

i If you use the combi detergent tablets ('3 in 1', '4 in 1', '5 in 1'), use the multitab function (refer to 'Multitab function').

SETTING THE WATER SOFTENER

The water softener removes minerals and salts from the water supply. These minerals and salts can cause damage to the appliance.

Adjust the level of the water softener if this does not agree with the water hardness in your area.

Contact your local water authority to know the water hardness in your area.

Water hardness				Water hardness adjustment	
German degrees (°dH)	French degrees (TH°)	mmol/l	Clarke degrees	manually	electronically
51 - 70	91 - 125	9,1 - 12,5	64 - 88	2 ¹⁾	10
43 - 50	76 - 90	7,6 - 9,0	53 - 63	2 ¹⁾	9
37 - 42	65 - 75	6,5 - 7,5	46 - 52	2 ¹⁾	8
29 - 36	51 - 64	5,1 - 6,4	36 - 45	2 ¹⁾	7
23 - 28	40 - 50	4,0 - 5,0	28 - 35	2 ¹⁾	6
19 - 22	33 - 39	3,3 - 3,9	23 - 27	2 ¹⁾	5 ¹⁾
15 - 18	26 - 32	2,6 - 3,2	18 - 22	1	4
11 - 14	19 - 25	1,9 - 2,5	13 - 17	1	3
4 - 10	7 - 18	0,7 - 1,8	5 - 12	1	2
< 4	< 7	< 0,7	< 5	1 ²⁾	1 ²⁾

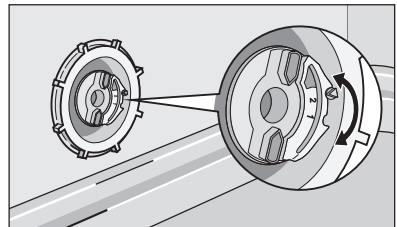
1) Factory position.

2) Do not use salt at this level.

i You must adjust the water softener manually and electronically.

Manual adjustment

Turn the water hardness dial to the position 1 or 2 (refer to the table).



Electronic adjustment

1. Activate the appliance.
2. Make sure that the appliance is in setting mode.
3. Press and hold the Delay button and the Start button at the same time until the programme indicators AUTO, PRO and 30MIN flash.
4. Release the Delay button and the Start button.
5. Press the Program button,
 - The programme indicators PRO and 30MIN go off.
 - The programme indicator AUTO continues to flash.
 - The display shows the setting of the water softener (example: **5 L** = level 5).
6. Press the Program button again and again to change the setting.
7. Deactivate the appliance to confirm.



If the water softener is set electronically to the level 1, the salt indicator stays off.

USE OF DISHWASHER SALT

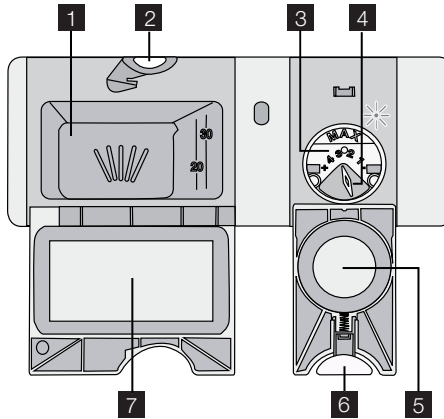
How to fill the salt container

1. Turn the cap counterclockwise and open the salt container.
2. Fill the salt container with 1 litre of water (only for the first time you fill with salt).
3. Use the funnel to fill the salt container with salt.
4. Remove the salt around the opening of the salt container.
5. Turn the cap clockwise to close the salt container.



It is correct that water comes out from the salt container when you fill it with salt.

USE OF DETERGENT AND RINSE AID



Use of detergent



To help the environment, do not use more than the correct quantity of detergent. Obey the instructions on the detergent packaging.

How to fill the detergent dispenser:

1. Press the release button **2** to open the lid **7** of the detergent dispenser.
2. Put the detergent in the dispenser **1**.
3. If the washing programme has a prewash phase, put a small quantity of detergent on the inner part of the appliance door.
4. If you use the detergent tablets, put the tablet in the detergent dispenser **1**.
5. Close the detergent dispenser. Press the lid until it locks into position.



Use long washing programmes when you use the detergent tablets. These cannot fully dissolve with short washing programmes and can decrease the washing results.

Use of rinse aid



Rinse aid makes it possible to dry the dishes without streaks and stains. The rinse aid dispenser automatically adds rinse aid during the last rinsing phase.

Do these steps to fill the rinse aid dispenser:

1. Press the release button **6** to open the lid **5** of the rinse aid dispenser.
2. Fill the rinse aid dispenser **3** with rinse aid. The mark 'max' shows the maximum level.
3. Remove the spilled rinse aid with an absorbent cloth to prevent too much foam during the washing programme.
4. Close the rinse aid dispenser. Press the lid until it locks into position.

Adjust the rinse aid dosage

Factory set: position 3.

You can set the rinse aid dosage between position 1 (lowest dosage) and position 4 (highest dosage).

Turn the rinse aid selector **4** to increase or decrease the dosage.

MULTITAB FUNCTION

The multitab function is for combi detergent tablets.

These tablets contain agents as detergent, rinse aid and dishwasher salt. Some types of tablets can contain other agents.

Be sure that these tablets are applicable for the water hardness in your area (refer to the instructions on the packaging of the products).

The multitab function deactivates the flow of rinse aid and salt.

The multitab function deactivates the indicators of salt and rinse aid.

The programme duration can increase if you use the multitab function.

i Activate or deactivate the multitab function before the start of a washing programme. You cannot activate or deactivate the function when a washing programme operates. Before the start of a washing programme, always make sure that the multitab function is on.

To deactivate the multitab function and use separately detergent, salt and rinse aid

1. Press the Option button until the multitab indicator goes off. The function is deactivated.
2. Fill the salt container and the rinse aid dispenser.
3. Adjust the water hardness to the highest level.
4. Start a washing programme without dishes.
5. When the washing programme is completed, adjust the water softener to the water hardness in your area.
6. Adjust the quantity of rinse aid.

LOADING CUTLERY AND DISHES


i Refer to the leaflet 'Examples of ProClean loads'.

Hints and tips

- Do not put in the appliance items that can absorb water (sponges, household cloths).
- Remove the remaining food from the items.
- Make soft the remaining burned food on the items.
- Put hollow items (cups, glasses and pans) with the opening down.
- Make sure that water does not collect in containers or in bowls.
- Make sure that cutlery and dishes do not bond together.
- Make sure that the glasses do not touch other glasses.
- Put small items in the cutlery basket.

- Mix the spoons with other cutlery to prevent them to bond together.
- When you put the items in the baskets, make sure that the water can touch all surfaces.
- Put light items in the upper basket. Make sure that the items do not move.
- Water droplets can collect on plastic items and non-stick pans.


WASHING PROGRAMMES

Programme	Type of soil	Type of load	Programme description	ÖKO PLUS function
AUTO 1)	All	Crockery, cutlery, pots and pans	Prewash Wash 45 °C or 70 °C Rinses Dry	Yes, with effect
PRO	Heavy soil	Crockery, cutlery, pots and pans	Prewash Wash 70 °C Rinses Dry	Yes, with effect
30MIN 2)	Normal or light soil	Crockery and cutlery	Wash 60°C Rinse	Yes, without effect
ECO 3)	Normal soil	Crockery and cutlery	Prewash Wash 50 °C Rinses Dry	Yes, with effect
	Use this programme to quickly rinse the dishes. This prevents the remaining food to bond on the dishes and bad odours to come out from the appliance. Do not use detergent with this programme.		Rinse	Yes, without effect

- 1) The appliance senses the type of soil and the quantity of items in the baskets. It automatically adjusts the temperature and quantity of the water, the energy consumption and the programme time.
- 2) With this programme you can wash a load with fresh soil. It gives good washing results in a short time.
- 3) This is the standard programme for test institutes. With this programme you have the most efficient use of water and energy consumption for crockery and cutlery with normal soil. Refer to the supplied leaflet for test information.

Consumption values

Programme ¹⁾	Energy (kWh)	Water (litre)
AUTO	0,9 - 1,7	8 - 17
PRO	1,5 - 1,7	15 - 16
30MIN	0,9	9
ECO	1,0 - 1,1	10 - 11

Programme ¹⁾	Energy (kWh)	Water (litre)
	0,1	4

1) The display shows the programme time.

i The water pressure and temperature, the variations of the mains supply and the quantity of dishes can change the consumption values.

SELECT AND START A WASHING PROGRAMME

Starting the washing programme without delay start

1. Close the appliance door.
2. Activate the appliance.
3. Make sure that the appliance is in setting mode.
4. Set the washing programme.
 - The related programme indicator comes on.
 - The programme time flashes in the display.
 - The phase indicators of the set washing programme come on.
5. If necessary, set the ÖKO PLUS function.
 - The selection of the function must always occur after the set of the washing programme.
6. Press the Start button, the washing programme starts automatically.
 - The phase indicators go off but the indicator of the phase in operation stays on.

Starting the washing programme with delay start

1. Close the appliance door.
2. Activate the appliance.
3. Make sure that the appliance is in setting mode.
4. Set the washing programme and functions.
5. Press the Delay button again and again until the display shows the time of the delay start.
 - The time of the delay start flashes in the display.
 - The delay indicator is on.
6. Press the Start button, the countdown starts automatically.
 - The delay start time flashes no more in the display.
 - The phase indicators of the set washing programme go off.
- When the countdown is completed, the washing programme starts automatically.
 - The indicator of the phase in operation is on.

i The opening of the appliance door stops the countdown. When you close the door, the countdown continues from the point of interruption.

Cancelling the delay start

The countdown is not operating

1. Press the Delay button again and again until:
 - The display shows the time of the washing programme.
 - The phase indicators come on.
2. Press the Start button to start the washing programme.

The countdown is operating

1. Press the Delay button again and again until:
 - The display shows the time of the washing programme.
 - The phase indicators come on.
- The washing programme starts automatically.

Interruption of a washing programme

- Open the appliance door.
 - The washing programme stops.
- Close the appliance door.
 - The washing programme continues from the point of interruption.

Cancelling the washing programme

If the washing programme has not started, you can change the selection.

To change the selection while the washing programme operates, it is necessary to cancel the programme.

- At the same time press and hold the Delay button and the Start button until:
 - All the programme indicators come on.
 - The display shows two horizontal status bars.



Make sure that there is detergent in the detergent dispenser before you start a new washing programme.

End of the washing programme

When the washing programme is completed, the display shows a zero and the end indicator is on.

1. Deactivate the appliance.
2. Open the appliance door.
3. For better drying results, keep the appliance door ajar for some minutes.

Remove the items from the baskets

- Let the dishes become cold before you remove them from the appliance. Hot dishes can be easily damaged.
- First remove the items from the lower basket, then from the upper basket.
- There can be water on the sides and on the door of the appliance. Stainless steel becomes cool more quickly than the dishes.

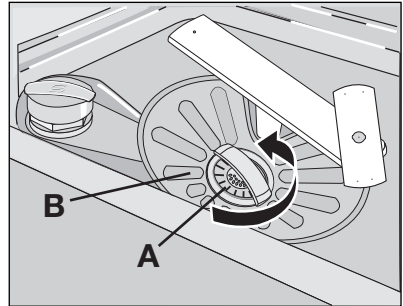
CARE AND CLEANING

To remove and clean the filters

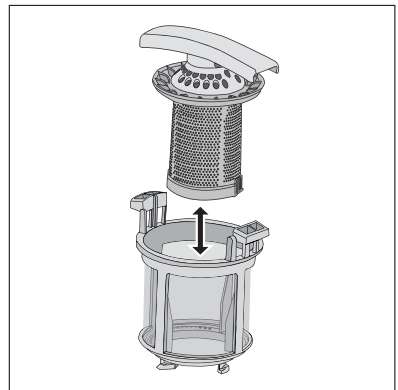
Dirty filters decrease the washing results.

Although the maintenance is very low with these filters, make a check at intervals and if necessary, clean them.

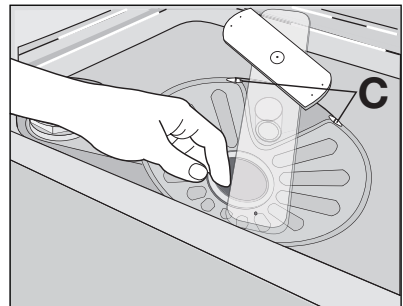
1. Turn the filter (A) counterclockwise and remove it out from filter (B).



2. Filter (A) has two parts. To disassemble the filter, pull them apart.
3. Fully clean the parts with water.
4. Put the two parts of the filter (A) together and push. Make sure that they assemble correctly in each other.
5. Remove the filter (B).
6. Fully clean the filter (B) with water.



7. Put the filter (B) to its initial position. Make sure that it assembles correctly in the two guides (C).
8. Put the filter (A) into position in filter (B). Turn the filter (A) clockwise until it locks.



To clean the spray arms

Do not remove the spray arms.

If the holes in the spray arms become clogged, remove remaining parts of soil with a thin pointed object.

To clean the external surfaces

Clean the external surfaces of the appliance and control panel with a moist soft cloth. Only use neutral detergents.

Do not use abrasive products, abrasive cleaning pads or solvents (acetone).

WHAT TO DO IF...

The start of the appliance does not occur or it stops during operation.

First try to find a solution to the problem (refer to the table). If not, contact the service centre.

With some malfunctions, the display shows an alarm code:

- **,10** - The appliance does not fill with water
- **,20** - The appliance does not drain the water
- **,30** - The anti-flood device is on.



WARNING!

Deactivate the appliance before you do the checks.

Malfunction	Possible cause	Possible solution
The appliance does not fill with water.	The water tap is blocked or there is limescale on it.	Clean the water tap.
	The water pressure is too low.	Contact your local water authority.
	The water tap is closed.	Open the water tap.
	The filter in the water inlet hose is blocked.	Clean the filter.
	The connection of the water inlet hose is not correct.	Make sure that the connection is correct.
The appliance does not drain the water.	The water inlet hose is damaged.	Make sure that the water inlet hose has no damages.
	There is a blockage in the sink spigot.	Clean the sink spigot.
	The connection of the water drain hose is not correct.	Make sure that the connection is correct.
The anti-flood device is on.	The water drain hose is damaged.	Make sure that the water drain hose has no damages.
		Close the water tap and contact the service centre.
The start of the washing programme does not occur.	The appliance door is open. The door indicator is on.	Close the appliance door.

Malfunction	Possible cause	Possible solution
	You did not press the Start touchpad or button.	Press the Start touchpad or button.
	The mains plug is not connected in the mains socket.	Connect the mains plug.
	The fuse in the fuse box is damaged.	Replace the fuse.
	The delay start is set.	<ul style="list-style-type: none"> • Cancel the delay start. • When the countdown is completed, the washing programme starts automatically.

After the check, activate the appliance. The programme continues from the point of interruption.

If the malfunction occurs again, contact the service centre.

If the display shows other alarm codes, contact the service centre.

The necessary information for the service centre is on the rating plate.

Record this information:

- Model (MOD.)
- Product number (PNC)
- Serial number (S.N.)

The washing results and drying results are not satisfactory

Problem	Possible cause	Possible solution
The dishes are not clean.	The washing programme was not applicable for the type of load and soil.	Make sure that the washing programme is applicable for the type of load and soil.
	You did not put the items correctly in the baskets, water did not touch all surfaces.	Put the items correctly in the baskets.
	The spray arms could not turn freely. Incorrect position of the items in the baskets.	Make sure that an incorrect position of the items do not cause the blockage of the spray arms.
	The filters are dirty or not assembled and installed correctly.	Make sure that the filters are clean and correctly assembled and installed.
	The quantity of detergent was not sufficient or missing.	Make sure that the quantity of detergent is sufficient.
Limescale particles on the dishes.	The salt container is empty.	Fill the salt container with dishwasher salt.
	Incorrect level of the water softener adjustment.	Adjust the water softener with the correct level.

Problem	Possible cause	Possible solution
	The salt container cap is not closed correctly.	Make sure that the salt container cap is closed correctly.
There are streaks, whitish stains, or a bluish layer on glasses and dishes.	The rinse aid quantity is too high.	Decrease the rinse aid quantity.
Dry water drop stains on glasses and dishes.	The rinse aid quantity is too low.	Increase the rinse aid quantity.
	The detergent can be the cause.	Use a different brand of detergent.
The dishes are wet.	The washing programme was without a drying phase or with a decreased drying phase.	For better drying results, keep the door ajar for some minutes.
The dishes are wet and matt.	The rinse aid dispenser is empty.	Fill the rinse aid dispenser with rinse aid.
	The multirack function is on (this function automatically deactivates the rinse aid dispenser).	Activate the rinse aid dispenser.

Activating the rinse aid dispenser

1. Activate the appliance.
2. Make sure that the appliance is in setting mode.
3. Press and hold button Delay and button Start at the same time until the programme indicators AUTO, PRO and 30MIN flash.
4. Release button Delay and button Start.
5. Press button Option.
 - The programme indicators AUTO and 30MIN go off.
 - The programme indicator PRO continues to flash.
 - The display shows the setting of the rinse aid dispenser.

<i>0d</i>	The rinse aid dispenser is off.
<i>1d</i>	The rinse aid dispenser is on.


6. Press button Option to change the setting.
7. Deactivate the appliance to confirm


TECHNICAL DATA

Dimensions	Width	596 mm
	Height	818 - 898 mm
	Depth	575 mm


Water supply pressure	Minimum	0,5 bar (0,05 MPa)
	Maximum	8 bar (0,8 MPa)
Water supply ¹⁾	Cold water or hot water	maximum 60 °C
Capacity	Place settings	12


1) Connect the water inlet hose to a water tap with a 3/4" thread.

 The rating plate on the inner edge of the appliance door shows the electrical connection data.

 If the hot water comes from alternative sources of energy, (e.g. solar panels, photovoltaic panels and aeolian), use a hot water supply to decrease energy consumption.

ENVIRONMENT CONCERNS

The symbol  on the product or on its packaging indicates that this product may not be treated as household waste. Instead it should be taken to the appropriate collection point for the recycling of electrical and electronic equipment. By ensuring this product is disposed of correctly, you will help prevent potential negative consequences for the environment and human health, which could otherwise be caused by inappropriate waste handling of this product. For more detailed information about recycling of this product, please contact your local council, your household waste disposal service or the shop where you purchased the product.

Recycle the materials with the symbol  . Put the packaging in applicable containers to recycle it.

AZ ÖN ELÉGEDETTSÉGE ÉRDEKÉBEN

Köszönjük, hogy megvásárolta ezt az AEG készüléket. Reméljük, hogy készülékünk kifogástalan teljesítményével hosszú éveken át elégedett lesz. Pontosan ezért alkalmaztunk olyan innovatív technológiákat és jellemzőket, melyek a mindennapi teendőket nagymértékben megkönnyítik, és amelyeket más készülékeken nem talál meg. Kérjük, szánjon néhány percet az útmutató végigolvasására, hogy a maximumot hozhassa ki készülékéből.

KIEGÉSZÍTŐ TARTOZÉKOK ÉS SEGÉDANYAGOK

Az AEG webáruházban mindent megtalál, ami ahhoz szükséges, hogy AEG készülékeinek ragyogó külsejét és tökéletes működését fenntartsa. Ezzel együtt széles választékban kínáljuk a legszigorúbb szabványoknak és az Ön minőségi igényeinek megfelelően tervezett és kivitelezett egyéb kiegészítő tartozékokat - a különleges főzőedényektől az evőeszköz kosarakig, az edénytartóktól a fehérnemű-zsákokig...



Látogassa meg webáruházunkat az alábbi címen:
www.aeg-electrolux.com/shop

TARTALOMJEGYZÉK

- 25 Biztonsági információk
- 28 Termékleírás
- 29 Kezelőpanel
- 31 A készülék használata
- 32 A vízlágyító beállítása
- 33 Speciális só használata
- 34 A mosogatószer és az öblítőszer használata
- 35 Multitab funkció
- 35 Evőeszközök és edények bepakolása
- 36 Mosogatóprogramok
- 37 Mosogatóprogram kiválasztása és elindítása
- 39 Ápolás és tisztítás
- 40 Mit tegyek, ha...
- 43 Műszaki adatok
- 44 Környezetvédelmi tudnivalók

A felhasználói kézikönyvben az alábbi szimbólumokat használjuk:



Fontos információk, amelyek személyes biztonságát szolgálják, illetve információk arra vonatkozóan, hogyan előzheti meg a készülék károsodását.



Általános információk és tanácsok



Környezetvédelmi információk

A változtatások jogát fenntartjuk



BIZTONSÁGI INFORMÁCIÓK

A mosogatógép üzembe helyezése és használata előtt olvassa el figyelmesen a használati útmutatót:

- Személyes és vagyontárgyai biztonsága érdekében.
- A környezet védelme érdekében.
- a készülék helyes használata érdekében.

Tartsa az útmutatót a készülék közelében, akkor is, ha a készüléket másnak átadja.

A nem megfelelő üzembe helyezés vagy használat okozta károkért a gyártó nem vállal felelősséget.

Gyermekek és fogyatékkal élő személyek biztonsága

- Ne bizza a készülék használatát csökkent fizikai, értelmi vagy mentális képességű, illetve megfelelő tapasztalatok és ismeretek híján lévő személyre, beleértve a gyermekeket. A biztonságukért felelős személy felügyelje őket, illetve a készülék használatára vonatkozóan biztosítson útmutatót számukra.
- Minden csomagolóanyagot tartson a gyermekektől távol. Fulladás vagy sérülés veszélye áll fel.
- Minden mosogatószeret tartson biztonságos helyen. Ne engedje, hogy gyermekek a mosogatószerhez nyúljanak.
- A gyermekeket és kisállatokat tartsa távol a készüléktől, amikor az ajtaja nyitva van.

Általános biztonsági tudnivalók

- Ne változtassa meg a készülék műszaki jellemzőit. Ez sérülést okozhat, és kárt tehet a készülékben.
- A szem, száj és torok sérülések elkerülése érdekében tartsa be a mosogatószer-gyártó biztonsági utasításait.
- Ne igyon a mosogatógépből származó vízből. A készülékben mosogatószer-maradványok lehetnek.
- Ne hagyja a készüléket nyitott ajtóval felügyelet nélkül. Így elkerülhetők a sérülések vagy a nyitott ajtónak való ütközés.
- Ne üljön vagy álljon a nyitott ajtóra.

Használat

- A gépet háztartási célú használatra tervezték. A személyi sérülések és vagyoni károk elkerülése érdekében a készüléket kizárólag erre a célra használja.
- A készüléket csak mosogatógépben tisztítható edények tisztítására használja.
- Ne tegyen gyúlékony anyagot, vagy gyúlékony anyaggal szennyezett tárgyat a készülékbe, annak közelébe, illetve annak tetejére. Ez tűz- és robbanásveszélyt okozhat.
- A késeket és minden más, szűrős hegyű eszközt hegyével lefele az evőeszközkosárba helyezze. Ha nem, vízszintes helyzetben a felső kosárba vagy a késtartó kosárba helyezze. (Nem minden típus rendelkezik késtartó kosárral.)
- Csak gépi mosogatáshoz alkalmas termékeket (mosogatószer, só, öblítőszer) használjon.
- A nem gépi mosogatáshoz előírt sótipusok használata kárt tehet a vízlágyítóban.

- A mosogatóprogram elindítása előtt töltsse fel speciális sóval a készüléket. A készülékben maradó só kimarhatja a felületeket vagy meglyukaszthatja a készülék alját.
- Az öblítőszeren kívül más terméket soha ne töltsön az öblítőszer-adagolóba (pl. mosogatógéptisztító szert, folyékony mosogatószert). Ez kárt tehet a készülékben.
- A mosogatóprogram elindítása előtt győződjön meg arról, hogy a szórókarok szabadon mozoghatnak.
- A készülékből forró gőz szabadulhat ki, ha az ajtót mosogatóprogram futtatása közben kinyitja. Égési sérülés veszélye áll fenn.
- Az edényeket a mosogatógépből csak a mosogatóprogram lejáta után vegye ki.

Ápolás és tisztítás

- Tisztítás előtt kapcsolja ki a készüléket és húzza ki a hálózati csatlakozódugót a hálózati csatlakozóaljzattól.
- Ne használjon gyúlékony vagy rozsdásodást okozó anyagokat.
- Ne használja a készüléket a szűrők nélkül. Ügyeljen arra, hogy a szűrők beszerelése helyes legyen. A szűrők nem megfelelő beszerelése csökkenti a mosogató hatását, és a készülék károsodását okozhatja.
- A készülék tisztításához ne használjon vízsugarat vagy gőzt. Áramütést és a készülék károsodását okozhatja.

Üzembe helyezés

- Ellenőrizze, hogy a készülék sértetlen. Ne helyezzen üzembe és ne csatlakoztasson egy sérült készüléket, képpen kapcsolatba a kereskedővel.
- A készülék üzembe helyezése és használata előtt távolítsa el a csomagolást.
- Az elektromos- és a vízvezeték csatlakoztatását és a készülék üzembe helyezését kizárólag szakember végezze. Ezzel megelőzhető a szerkezeti károk és személyi sérülések.
- Ügyeljen arra, hogy az üzembe helyezés során a hálózati dugasz le legyen választva a fal aljzatról.
- Ne fúrja ki a készülék oldalait, nehogy megsérüljenek a hidraulikus és elektromos alkatrészek.
- **Fontos!** Tartsa be a készülékhez mellékelt sablon utasításait:
 - A készülék üzembe helyezéséhez.
 - Az ajtópanel felszereléséhez.
 - A vízvezeték és a lefolyó csatlakoztatásához.
- A készüléket biztonságos szerkezet alá és mellé helyezze.

Fagyveszély

- Ne helyezze üzembe a készüléket olyan helyen, ahol a hőmérséklet 0°C alatt van.
- A gyártó nem felel a fagy okozta kárért.

Vízhálózatra csatlakoztatás

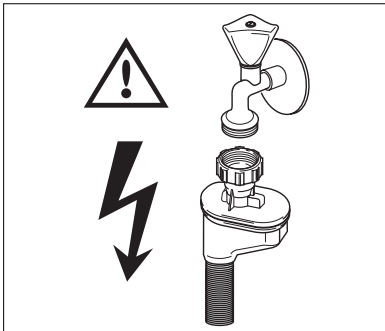
- A készülék vízhálózatra történő csatlakoztatásához használjon új csöveket. Ne alkalmazzon használt csöveket.

- Ne csatlakoztassa a készüléket új vízvezetékekre vagy hosszú ideig nem használt vezetékekre. Hagyja folyni a vizet néhány percig, majd ezt követően csatlakoztassa a befolyócsövet.
- Vigyázzon, hogy a készülék üzembe helyezésekor ne nyomja össze vagy ne károsítsa a vízcsöveket.
- A vízszivárgás elkerülése érdekében biztosítsa, hogy a vízcsatlakoztatások szorosan legyenek húzva.
- A készülék első használata során győződjön meg arról, hogy a csövek nem szivárognak-e.
- A befolyócső dupla dupla bevonattal ellátott belső vezetékkel, valamint biztonsági szeleppel rendelkezik. A befolyócső akkor van nyomás alatt, amikor víz áramlik rajta keresztül. Ha szivárgás van a befolyócsövön, a biztonsági szelep megszakítja a vízáramlást.
 - Legyen körültekintő a befolyócső csatlakoztatásakor:
 - A befolyócsövet vagy a biztonsági szelepet ne merítse vízbe.
 - Ha a befolyócső vagy a biztonsági szelep megsérül, azonnal válassza le a csatlakozódugót a hálózati aljzatról.
 - A biztonsági szeleppel ellátott befolyócső cseréjével forduljon szakszervizhez.



VIGYÁZAT

Veszélyes feszültség.



Elektromos csatlakozás

- A készüléket kötelező földelni.
- Ellenőrizze, hogy az adattáblán szereplő elektromossági adatok megfelelnek-e a háztartási hálózati áram paramétereinek.
- Mindig megfelelően felszerelt, érintésbiztos aljzatot használjon.
- Ne használjon több helyes csatlakozókat és hosszabbítókat. Ezek használata tűzveszélyes.
- Ne cserélje vagy módosítsa a hálózati kábelt. Forduljon szakszervizhez.
- Ügyeljen rá, hogy ne tegyen kárt a készülék hátulján található hálózati dugaszban és kábelben, illetve ne nyomja össze azokat.
- Beszerelés után biztosítsa a hálózati dugasz könnyű elérhetőségét.
- A készüléket ne a hálózati kábelnél fogva válassza le. Mindig a hálózati dugaszt húzza.

Szakszerviz

- A készüléken javítási, vagy egyéb munkákat kizárólag erre felhatalmazott szakember végezhet. Forduljon szakszervizhez.
- Csak eredeti pótalkatrészeket használjon.

A készülék hulladékba helyezése

- A személyi sérülések vagy vagyoni károk megelőzése érdekében:
 - Húzza ki a dugaszt a hálózati aljzatból.
 - Vágja el a hálózati tápkábelt, és helyezze a hulladékba.
 - Vegye le az ajtózárat. Így a gyermekek vagy kisállatok nem záródhatnak be a készülékbe. A bezáródás fulladásveszélyes.
 - A készüléket a helyi hulladéklerakó központban helyezze a hulladékba.

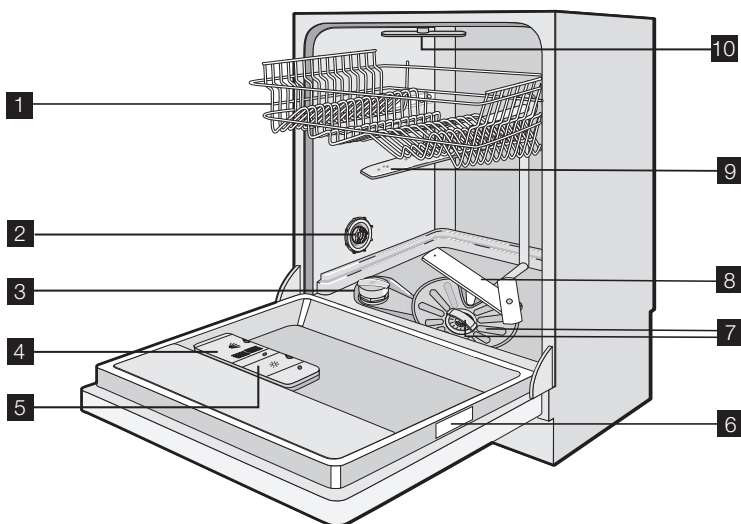


VIGYÁZAT

A mosogatógépbe való mosogatószeres veszélyesek, és korróziót okozhatnak!

- Ha a mosószerrel baleset történik, azonnal forduljon orvoshoz.
- Ha a mosószer szájba kerül, azonnal forduljon orvoshoz.
- Ha szembe kerül a mosogatószer, akkor azonnal forduljon orvoshoz, és öblítse ki a szemeket vízzel.
- A mosogatógépbe való mosogatószereset biztonságos és gyermekek által el nem érhető helyen tárolja.
- Ne hagyja nyitva a készülék ajtaját, amikor mosogatószer van a mosogatószer-adagolóban.
- Csak egy mosogatóprogram indítása előtt töltsse fel a mosogatószer-adagolót.

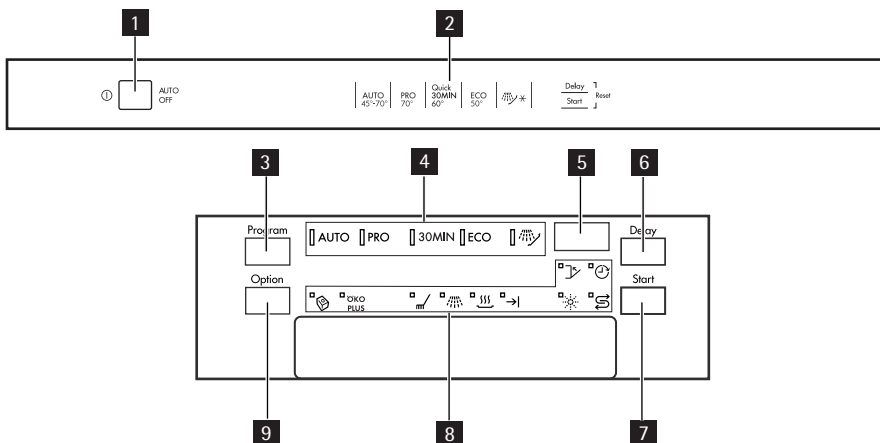
TERMÉKLEÍRÁS



1 Felső kosár




- 2 Vízkeménység-tárcsa
- 3 Sótartály
- 4 Mosogatószer-adagoló
- 5 Öblítőszer-adagoló
- 6 Adattábla
- 7 Szűrők
- 8 Alsó szűrőkar
- 9 Középső szűrőkar
- 10 Felső szűrőkar



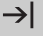




KEZELŐPANEL



- 1 Be/ki gomb
- 2 Program mutató
- 3 Program gomb
- 4 Programkijelzők
- 5 Kijelzés
- 6 Delay gomb
- 7 Start gomb
- 8 Jelzőfények
- 9 Option gomb

Jelzőfények

	Multitab jelzőfénye. Felgyullad, amikor aktiválja a funkciót.
	ÖKO PLUS jelzőfénye. Felgyullad, amikor aktiválja a funkciót.
	Mosogatósi fázis jelzőfénye. Felgyullad, amikor a mosogatósi fázis fut.

Jelzőfények	
	Öblítési fázis jelzőfénye. Felgyullad, amikor az öblítési program fut.
	Szárítási fázis jelzőfénye. Felgyullad, amikor a szárítási fázis fut.
	Vége jelzőfény. Felgyullad, amikor a mosogatóprogram lejárt.
	Öblítőszer jelzőfénye. Felgyullad, amikor az öblítőszer-adagolót fel kell tölteni. ¹⁾
	Só jelzőfénye. Felgyullad, amikor a sótartályt fel kell tölteni. ¹⁾ Mután a tartályt feltöltötte, a só jelzőfénye néhány órán keresztül még tovább világíthat. Ez nincs káros hatással a készülék működésére.
	Delay jelzőfénye. Felgyullad, amikor a késleltetett indítást aktiválja.
	Ajtó jelzőfénye. Akkor gyullad fel, ha az ajtó nyitva van, vagy nincs megfelelően becsukva.

1) Amikor a sótartály és/vagy az öblítőszer-adagoló üres, a megfelelő jelzőfények nem gyulladnak fel, amíg a mosogatóprogram üzemel.

Be/ki gomb

Nyomja meg a gombot a készülék ki- és bekapcsolásához.

A program lejártá után tíz perccel az AUTO OFF funkció automatikusan kikapcsolja a készüléket. Ez segít az energiafogyasztás csökkentésében.

Programmutató

Ezen útmutató segít a mosóprogram kiválasztásában.

Program gomb

Nyomja meg ismételten a gombot, amíg a mosogatóprogram jelzőfénye fel nem gyullad.

Lásd a „Mosogatóprogramok” c. részt.

Kijelző

A kijelző a következőket mutatja:

- A vízlágyító szintjének elektronikus beállítása.
- Az öblítőszer-adagoló be-/kikapcsolása (csak, ha a multitab funkció be van kapcsolva)
- A mosogatóprogram ideje
- A mosogatóprogram befejezéséig hátralévő idő
- A mosogatóprogram vége (a kijelzőn nulla látható)
- A késleltetett indítás ideje
- A riasztási kódok.

Delay gomb

Nyomja meg ismételten a gombot, hogy a mosogatóprogram indítását 1 és 24 óra közötti időtartammal késleltesse.

Start gomb

A gomb megnyomásával elindíthatja:

- a mosogatóprogramot

- a késleltetett indítás visszaszámlálását.

Option gomb

A gomb megnyomásával beállíthatja a funkciókat.

Ha egy funkció aktív, a megfelelő jelzőfény felgyullad.

Option gomb	Multitab	ÖKO PLUS
Egyszeri megnyomás	BEKAPCSOL	KIKAPCSOL
Kétszeri megnyomás	KIKAPCSOL	BEKAPCSOL
Háromszori megnyomás	BEKAPCSOL	BEKAPCSOL
Négyzeri megnyomás	KIKAPCSOL	KIKAPCSOL

Funkciók

Multitab

Ha kombinált mosogatószer-tablettát használ („3 az 1-ben”, „4 az 1-ben”, „5 az 1-ben”), használja a multitab funkciót. Lásd a „Multitab funkció” c. fejezetet.

ÖKO PLUS

Ez a funkció csökkenti a hőmérsékletet a szárítási szakaszban. Az áramfogyasztás 25%-kal csökken.

A program végén, amikor kinyitja a készülék ajtaját, az edények nedvesek lehetnek. Azt javasoljuk, hogy hagyja nyitva az ajtót, és hagyja megszáradni az edényeket.

Beállítás üzemmód

A következő műveletek esetében a készülék legyen beállítás üzemmódban:

- Mosogatóprogram beállítása és elindítása.
- Mosogatóprogram beállítása és késleltetett indítása.
- A vízlágyító szintjének elektronikus beállítása.
- Az öblítőszer-adagoló be-/kikapcsolása (csak, ha a multitab funkció be van kapcsolva).

Kapcsolja be a készüléket. A készülék akkor van beállítás üzemmódban, ha:

- Az összes program kijelző világít.
- Két vízszintes állapotsáv jelenik meg a kijelzőn.

Kapcsolja be a készüléket. A készülék nincs beállítás üzemmódban, ha:

- Csak egy program kijelző világít.
- A kijelzőn látható a mosogatóprogram vagy a késleltetett indítás ideje.
 - A beállítási üzemmódba való visszatéréshez törölni kell a programot vagy a késleltetett indítást. Lásd a "Mosogatóprogram kiválasztása és elindítása" c. részt.

A KÉSZÜLÉK HASZNÁLATA

1. Ellenőrizze, hogy a vízlágyító szintje megfelel-e lakóhelyén használt víz keménységének. Szükség esetén módosítsa a vízlágyító beállítását.
2. Töltse fel a sótartályt mosogatógéphez használatos sóval.

3. Töltse fel az öblítőszer-adagolót öblítőszerrel.
4. Helyezze be az evőeszközöket és edényeket a készülékbe.
5. Állítsa be a töltet és a szennyeződés típusának megfelelő mosogatóprogramot.
6. Töltse fel a mosogatószer-adagolót a megfelelő mennyiségű mosogatószerrel.
7. Indítsa el a mosogatóprogramot.

i Ha kombinált mosogatószer-tablettát használ („3 az 1-ben”, „4 az 1-ben”, „5 az 1-ben” stb.), használja a multitab funkciót (lásd a „Multi-tab funkció” c. részt).

A VÍZLÁGYÍTÓ BEÁLLÍTÁSA

A vízlágyító eltávolítja a csapvízből az ásványi anyagokat és sókat. Ezek az ásványi anyagok és sók károsíthatják a készüléket.

Állítsa be a vízlágyító szintet, ha az nem felel meg a lakóhelyén használt víz keménységének. A használt víz keménységére vonatkozó tájékoztatásért lépjen kapcsolatba a helyi vízügyi hatóságokkal.

Vízkeménység				Vízkeménység beállítása	
Német fok (dH°)	Francia fok (°TH)	mmol/l	Clarke fok	kézzel	elektronikusan
51–70	91–125	9,1–12,5	64–88	2 ¹⁾	10
43 – 50	76 – 90	7,6 – 9,0	53 – 63	2 ¹⁾	9
37 – 42	65 – 75	6,5 – 7,5	46 – 52	2 ¹⁾	8
29 – 36	51 – 64	5,1 – 6,4	36 – 45	2 ¹⁾	7
23 – 28	40 – 50	4,0 – 5,0	28 – 35	2 ¹⁾	6
19 – 22	33 – 39	3,3 – 3,9	23 – 27	2 ¹⁾	5 ¹⁾
15 – 18	26 – 32	2,6 – 3,2	18 – 22	1	4
11 – 14	19 – 25	1,9 – 2,5	13 – 17	1	3
4 – 10	7 – 18	0,7 – 1,8	5 – 12	1	2
< 4	< 7	< 0,7	< 5	1 ²⁾	1 ²⁾

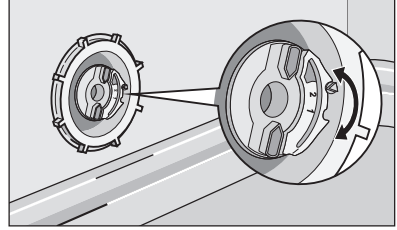
1) Gyári helyzet.

2) Ezen a szinten ne használjon sót.

i Manuálisan és elektronikusan kell beállítani a vízlágyítót.

Manuális beállítás

A vízkeménység-tárcsát forgassa el az 1. vagy 2. állásba (lásd a táblázatot).



Elektronikus beállítás

1. Kapcsolja be a készüléket.
2. Győződjön meg arról, hogy a készülék beállítási módban van.
3. Egyszerre nyomja meg, és tartsa lenyomva a Delay és a Start gombokat, amíg az AUTO, PRO és a 30MIN villogni nem kezdenek.
4. Engedje el a Delay és a Start gombokat.
5. Nyomja meg a Program gombot,
 - A PRO és a 30MIN programkijelzők kialszanak.
 - Az AUTO programkijelző továbbra is villog.
 - A kijelző a vízlágyító beállítását mutatja (például: **5 L** = 5.-ös szint).
6. A beállítás módosításához nyomja meg ismételten a Program gombot.
7. A megerősítéshez kapcsolja ki a készüléket.

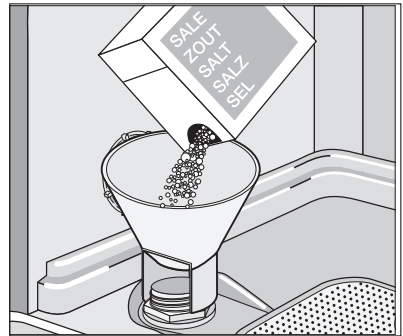


Ha a vízlágyító elektronikusan az 1. szintre van beállítva, akkor a só visszajelző nem kapcsol be.

SPECIÁLIS SÓ HASZNÁLATA

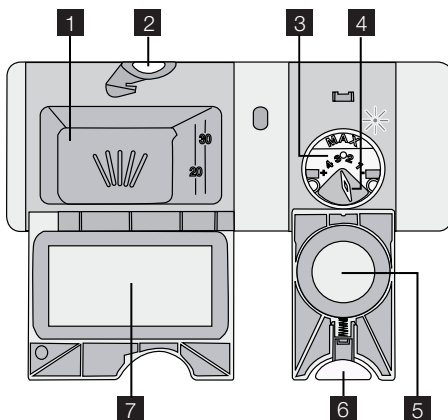
A sótartály feltöltése

1. Csavarja le a kupakot az óramutató járásával ellenkező irányban, és nyissa ki a só-tartályt.
2. Töltse meg a sótartályt 1 liter vízzel (első feltöltéskor).
3. A tölcser segítségével töltse fel a só-tartályt sóval.
4. Távolítsa el a sótartály nyílása körül lévő sót.
5. A sótartály visszazárásához tekerje a kupakot az óramutató járásával megegyező irányba.



Normális jelenség, ha a só betöltésekor víz folyik ki a sótartályból.

A MOSOGATÓSZER ÉS AZ ÖBLÍTŐSZER HASZNÁLATA



Mosogatószer használata



A környezet védelme érdekében ne használjon a szükségesnél több mosogatószert. Kövesse a mosogatószer gyártójának a csomagoláson található utasításait.

A mosogatószer-adagoló feltöltése:

1. Nyomja meg a kioldógombot **2** fedelének felnyitásához **7** a mosogatószer-adagoló
2. Tegye a mosogatószert az adagolóba **1**.
3. Ha előmosogatási fázissal rendelkező mosogatóprogramot használ, tegyen egy kevés mosogatószert a készülék ajtajának belsejébe.
4. Ha mosogatószer-tablettát használ, tegye a mosogatószer-adagolóba **1**.
5. Zárja be a mosogatószer-adagolót. Nyomja le a fedelet, amíg a helyére nem kattán.



Mosogatószer-tabletta használata esetén használja a hosszú mosogatóprogramokat. Ezek a rövid programok során nem oldódnak fel teljesen, így csökkenthetik a mosás eredményét.

Az öblítőszer használata



Az öblítőszer lehetővé teszi, hogy az edények folt- és csíkmentesen száradjanak. Az öblítőszer-adagoló az utolsó öblítéskor automatikusan adagolja az öblítőszert.

Az öblítőszer-adagoló feltöltéséhez kövesse az alábbi lépéseket:

1. Nyomja meg a kioldógombot **6** fedelének kinyitásához. **5** az öblítőszer-adagoló
2. Töltse fel az öblítőszer-adagolót **3** öblítőszerrel. A "max" jelzés a maximális szintet mutatja.
3. A kilötyönt öblítőszert nedvszívó törölkendővel távolítsa el, hogy a mosogatóprogram alatt megakadályozza a túlzott habképződést.
4. Zárja be az öblítőszer-adagolót. Nyomja le a fedelet, amíg a helyére nem kattán.

Állítsa be az öblítőszer adagolását

Gyári beállítás: 3. állás

Az adagolás 1. (legalacsonyabb adagolás) és 4. (legmagasabb adagolás) pozíció között állítható be.

Forgassa el az öblítőszer-adagoló kiválasztógombját **4** az adag növeléséhez vagy csökkentéséhez.

MULTITAB FUNKCIÓ

A multitab funkció kombinált mosogatószer-tablettáknál alkalmazható.

Ezek a tabletták mosogatószert, öblítőszer és mosogatógéphez használandó sót tartalmaznak. A tabletták bizonyos típusai más adalékanyagokat is tartalmazhatnak.

Győződjön meg arról, hogy a tabletták megfeleljenek lakóhelye vízkeménységének (tekintse meg a termék csomagolásán lévő információkat).

A multitab funkció leállítja az öblítőszer és a só betöltését.

A multitab funkció automatikusan kikapcsolja az öblítőszer és a só jelzőfényeit.

A multitab funkció használatakor a program időtartama megnövekedhet.



A multitab funkciót a mosogatóprogram indítása előtt kapcsolja be vagy ki. A funkciót a program működése közben nem lehet be- vagy kikapcsolni.

A mosogatóprogram kezdete előtt mindig győződjön meg róla, hogy a multitab funkció be van kapcsolva.

A multitab funkció kikapcsolásához és külön mosogatószert, só és öblítőszer használatához

1. Nyomja meg az Option gombot, amíg a multitab jelzőfény ki nem alszik. A funkciót kikapcsolta.
2. Töltse fel a sótartályt és az öblítőszer-adagolót.
3. Állítsa a vízkeménységet a legmagasabb szintre.
4. Futtasson le egy mosogatóprogramot edények nélkül.
5. Amikor a mosogatóprogram befejeződött, állítsa be a vízlágyító szintjét a lakóhelyének megfelelő értékre.
6. Állítsa be az öblítőszer mennyiségét.

EVŐESZKÖZÖK ÉS EDÉNYEK BEPAKOLÁSA




Lásd a "ProClean töltetek példái" c. kiadványt.

Javaslatok és tanácsok

- Ne helyezzen a készülékbe a vizet felszívó darabokat (szivacsot, rongyot).
- Az edényekről távolítsa el az ételmaradékot.
- Áztassa fel az edényekre égett ételt.
- Az üreges tárgyakat (pl. csészék, poharak és lábasok) nyílásukkal lefele tegye be.
- Vigyázzon, hogy a víz ne gyűlhessen bele az edényekbe vagy csészékbe.


- Fontos, hogy az edények és evőeszközök ne legyenek egymásba csúszva.
- Győződjön meg arról, hogy a poharak nem érnek egymáshoz.
- A kisebb tárgyakat helyezze az evőeszközkosárba.
- A kanalakat más evőeszközökkel vegyesen pakolja be, hogy ne tapadjanak össze.
- Az edényeket úgy helyezze a kosárba, hogy a víz az összes felületet érje.
- A könnyű darabokat helyezze a felső kosárba. Ügyeljen arra, hogy az eszközök ne mozdulhassanak el.
- A műanyag darabokra és tapadásmentes bevonatú serpenyőkre vízcseppek gyűlhetnek.

MOSOGATÓPROGRAMOK

Program	Szennyező-dés típusa	Töltet típusa	Program leírása	ÖKO PLUS funkció
AUTO 1)	Valamennyi	Edények, evőeszközök, lábasok és fazekak	Előmosogatás Mosogatás 45°C vagy 70°C Öblítések Szárítás	Igen, hatással van
PRO	Erős szennyezettség	Edények, evőeszközök, lábasok és fazekak	Előmosogatás Mosogatás 70 °C Öblítések Szárítás	Igen, hatással van
30MIN 2)	Normál vagy enyhe szennyezettség	Edények és evőeszközök	Mosogatás 60 °C Öblítések	Igen, de nincs hatása
ECO 3)	Normál szennyezettség	Edények és evőeszközök	Előmosogatás Mosogatás 50 °C Öblítések Szárítás	Igen, hatással van
	A program segítségével gyorsan előblítheti az edényeket. Megelőzi, hogy az ételmaradékok rászáradjanak az edényekre, és a készülékből kellemetlen szag áradjon. A programhoz ne használjon mosogatószert.		Öblítések	Igen, de nincs hatása

- 1) A készülék érzékeli a szennyeződés típusát és a kosarakban lévő edények mennyiségét. A víz hőmérsékletét és mennyiségét, az energiafogyasztást és a program idejét automatikusan beállítja.
- 2) A programmal frissen szennyezett edényeket mosogathat el. Jó mosogatási eredményt nyújt rövid idő alatt.
- 3) Ez a laboratóriumok számára készült szabványos program. A program segítségével normál szennyezettségű edények és evőeszközök esetén a leghatékonyabb víz- és energiafelhasználást érheti el. A vizsgálati információk megtalálhatók a mellékelt tájékoztatóban.

Fogyasztási értékek

Program ¹⁾	Energia (kWh)	Víz (liter)
AUTO	0,9 - 1,7	8 - 17
PRO	1,5 - 1,7	15 - 16
30MIN	0,9	9
ECO	1,0 - 1,1	10 - 11
	0,1	4

1) A kijelző a programidőt mutatja.



A nyomás és a hőmérséklet, az áramszolgáltatás ingadozásai és az edények mennyisége módosíthatják a fogyasztási értékeket.

MOSOGATÓPROGRAM KIVÁLASZTÁSA ÉS ELINDÍTÁSA

Mosogatóprogram indítása késleltetett indítás nélkül

1. Zárja be a készülék ajtaját.
2. Kapcsolja be a készüléket.
3. Győződjön meg arról, hogy a készülék beállítási módban van.
4. Állítsa be a mosogatóprogramot.
 - A megfelelő program jelzőfénye felgyullad.
 - A programidő villog a kijelzőn.
 - A beállított mosogatóprogram fázisjelzőfénye felgyullad.
5. Ha szükséges, állítsa be az ÖKO PLUS funkciót.
 - A funkciók kiválasztását mindig a mosogatóprogram beállítása után kell végezni.
6. Nyomja meg a Start gombot, a mosogatóprogram automatikusan elindul.
 - A fázisjelzők kialszanak, de az éppen futó fázis kijelzője égve marad.

Mosogatóprogram indítása késleltetett indítással

1. Zárja be a készülék ajtaját.
2. Kapcsolja be a készüléket.
3. Győződjön meg arról, hogy a készülék beállítási módban van.
4. Állítsa be a mosogatóprogramot és a funkciókat.
5. Nyomja meg ismételtlen a Delay gombot, amíg a kijelző a késleltetett indítás idejét mutatja.
 - A késleltetett indítás ideje villog a kijelzőn.
 - A késleltetés kijelzője bekapcsolt.
6. Nyomja meg a Start gombot, a visszazámlálás automatikusan elindul.
 - A késleltetett indítás ideje már nem villog a kijelzőn.
 - A beállított mosogatóprogram fázisjelzőfénye kialszik.

- Amikor a visszaszámlálás befejeződött, a mosogatóprogram automatikusan elindul.
 - A futó fázis kijelzője bekapcsolt.



Az ajtó kinyitása leállítja a visszaszámlálást. Amikor ismét becsukja az ajtót, a visszaszámlálás a megszakítási ponttól folytatódik.

A késleltetett indítás törlése

A visszaszámlálás nem működik

1. Nyomja meg ismételten a Delay gombot, amíg
 - a kijelzőn a mosogatóprogram ideje nem látható.
 - a fázisjelzők fel nem gyulladnak.
2. A mosogatóprogram elindításához nyomja meg a Start gombot.

A visszaszámlálás működik

1. Nyomja meg ismételten a Delay gombot, amíg
 - a kijelzőn a mosogatóprogram ideje nem látható.
 - a fázisjelzők fel nem gyulladnak.
- A mosogatóprogram automatikusan elindul.

Mosogatóprogram megszakítása

- Nyissa ki a mosogatógép ajtaját.
 - A program leáll.
- Zárja be a készülék ajtaját.
 - A program a megszakítási ponttól folytatódik.

A mosogatóprogram törlése

Ha a mosogatóprogram nem indult el, módosíthatja a kiválasztását.

Ha a mosogatóprogram működése közben szeretné a kiválasztást módosítani, törölni kell a programot.

- Nyomja meg egyszerre és tartsa lenyomva a Delay és a Start gombokat, amíg
 - az összes programkijelző fel nem gyullad.
 - a kijelző két vízszintes sávot meg nem jelenít.



Új mosogatóprogram elindítása előtt ellenőrizze, hogy van-e mosogatószer a mosogatószeradagolóban.

A mosogatóprogram vége

Amikor a mosogatóprogram befejeződött, a kijelző nullát mutat, és a vége jelzőfény felgyullad.

1. Kapcsolja ki a készüléket.
2. Nyissa ki a mosogatógép ajtaját.
3. Jobb szárítási eredmény eléréséhez tartsa nyitva a készülék ajtaját néhány percig.

Távolítsa el az edényeket a kosarakból

- A kipakolás előtt várja meg, amíg az edények kihűlnek. A forró edények könnyebben megsérülnek.

- Először az alsó kosarat, majd a felső kosarat ürítse ki.
- Lehetséges, hogy víz van a készülék oldalfalain és ajtaján. A rozsdamentes acél hamarabb lehűl, mint az edények.

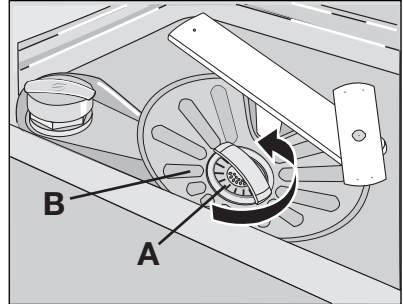
ÁPOLÁS ÉS TISZTÍTÁS

A szűrők eltávolítása és tisztítása

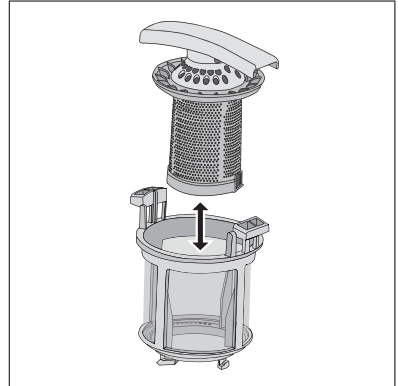
A piszkos szűrők rontják a mosogatás hatékonyságát.

Annak ellenére, hogy a szűrők nem igényelnek különösebb karbantartást, rendszeres ellenőrzésük, és szükség esetén tisztításuk ajánlott.

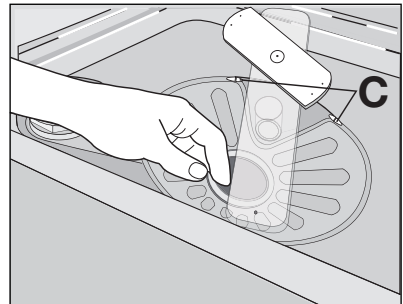
1. Az (A) szűrő kivételéhez forgassa az óramutató járásával ellentétes irányba, és vegye ki a (B) szűrőből.



2. Az (A) szűrő két részből áll. A szűrő szét-szereléséhez húzza szét a részeket.
3. Mindkét részt mossa tisztára folyó víz alatt.
4. Illessze egymáshoz az (A) szűrő két részét és nyomja össze. Ügyeljen rá, hogy megfelelően illeszkedjenek.
5. Vegye ki a (B) szűrőt.
6. Alaposan tisztítsa meg a (B) szűrőt folyó víz alatt.



7. Tegye az eredeti helyére a (B) szűrőt. Ellenőrizze, hogy a két vezetősínben (C) megfelelően illeszkedik-e.
8. Helyezze az (A) szűrőt a helyére a (B) szűrőben. Fordítsa el az (A) szűrőt az óramutató járásával megegyező irányba, amíg rögzül.



Szórókarok tisztítása

Ne távolítsa el a szórókarokat.

Ha a szórókarok furatai eltömődnének, a szennyeződés megmaradó részét egy hegyes végű pálcával távolítsa el.

Külső felületek tisztítása

A mosogatógép és a kezelőpanel külső felületét törölje át egy puha, nedves ruhával.

Csak semleges tisztítószerrel használjon.

Ne használjon súrolószert, súrolószivacsot vagy oldószereket (pl.: acetont).

MIT TEGYEK, HA...

A készülék nem indul el, vagy működés közben leáll.

Először próbálja meg kiküszöbölni a problémát (lásd a táblázatot). Ha nem sikerül, forduljon szakszervizhez.

Bizonyos meghibásodások esetén a kijelzőn egy riasztási kód látható:

- **,10** - A készülék nem tölt be vizet.
- **,20** - A készülék nem ereszt le a vizet.
- **,30** - A túlcserülés-gátló bekapcsolt.



VIGYÁZAT

Az ellenőrzés előtt a készüléket kapcsolja ki.

Hibás működés	Lehetséges ok	Lehetséges megoldás
A készülék nem tölt be vizet.	A vízcsap eltömődött vagy vízköves.	Tisztítsa ki a vízcsapot.
	A víznyomás túl alacsony.	Forduljon a helyi vízszolgáltatóhoz.
	A vízcsap zárva van.	Nyissa ki a vízcsapot
	Eltömődött a befolyócső szűrője.	Tisztítsa meg a szűrőt.
	A befolyócső csatlakozása nem megfelelő.	Ügyeljen arra, hogy a csatlakozás megfelelő legyen.
	A befolyócső sérült.	Ügyeljen rá, hogy a befolyócsővön ne legyen sérülés.
A készülék nem ereszt le a vizet.	A szifon eltömődött.	Tisztítsa ki a szifont.
	A kifolyócső csatlakozása nem megfelelő.	Ügyeljen arra, hogy a csatlakozás megfelelő legyen.
	Megsérült a kifolyócső.	Ügyeljen rá, hogy a kifolyócsővön ne legyen sérülés.
A túlcserülés-gátló bekapcsolt.		Zárja el a vízcsapot, és forduljon a szakszervizhez.

Hibás működés	Lehetséges ok	Lehetséges megoldás
Nem történt meg a mosogató-program indítása.	A készülék ajtaja nyitva van. Világít az ajtó visszajelző.	Zárja be a készülék ajtaját.
	Nem nyomta meg a Start érintőgombot vagy gombot.	Nyomja meg a Start érintőgombot vagy gombot
	A hálózati csatlakozódugó nincs megfelelően a hálózati csatlakozóaljzatba csatlakoztatva.	Csatlakoztassa megfelelően a csatlakozódugót.
	Kiégett a biztosítódobozban a biztosító.	Cserélje ki a biztosítót.
	Késleltetett indítás van beállítva.	<ul style="list-style-type: none"> • Törölje a késleltetett indítást. • Amikor a visszaszámlálás befejeződött, a mosogatóprogram automatikusan elindul.

Az ellenőrzés után kapcsolja be a készüléket. A program a megszakítási ponttól folytatódik. Ha a nem szűnik meg a hibás működés, akkor forduljon a szervizhez.

Ha a kijelzőn egyéb riasztási kódok láthatóak, akkor forduljon szervizhez.

A szerviz számára szükséges adatok az adattáblán találhatóak.

Jegyezze fel ezen információt:

- Modell (MOD.)
- Termékszám ("PNC")
- Sorozatszám (S.N)

A mosogató és a szárítás eredménye nem kielégítő.

Probléma	Lehetséges ok	Lehetséges megoldás
Az edények nem tiszták.	A kiválasztott mosogatóprogram nem felel meg a töltet és a szennyeződés típusának.	Győződjön meg arról, hogy megfelelő-e a mosogatóprogram az ilyen típusú töltet és a szennyeződés esetében.
	Az edényeket nem helyezte megfelelően a kosarakba, a víz nem érte el az összes felületet.	Helyezze az edényeket megfelelően a kosarakba.
	A szűrőkarok nem tudnak szabadon mozogni. Az edények nem megfelelően vannak a kosarakba helyezve.	Győződjön meg arról, hogy a töltet helytelen elrendezése miatt nincsenek-e a szűrőkarok elakadva.
	A szűrők szennyezettek vagy nincsenek megfelelően behelyezve.	Győződjön meg arról, hogy tiszták-e a szűrők, és megfelelően vannak-e összeszerelve és betéve.
	Nem elegendő vagy hiányzik a mosogatószer.	Győződjön meg arról, hogy elegendő mosogatószert töltött be.

Probléma	Lehetséges ok	Lehetséges megoldás
Vízkömaradványok vannak az edényeken.	A sótartály üres.	Töltse fel a sótartályt mosogatógéphez használatos sóval.
	A vízlágyító szintje nincs megfelelően beállítva.	Állítsa be a vízlágyító megfelelő szintjét.
	A sótartály kupakja nincs megfelelően visszazárva.	Győződjön meg arról, hogy a sótartály kupakja megfelelően zár-e.
A poharakon és az edényeken csíkok, fehér foltok vagy kékes bevonat látható.	Túl sok öblítőszeret adagolt.	Csökkentse az öblítőszer mennyiségét.
Vízcseppek száradási nyomait észleli a poharakon és az edényeken.	Túl kevés öblítőszeret adagolt.	Növelje az öblítőszer mennyiségét.
	Lehet, hogy a mosogatószer az oka.	Használjon másik márkájú mosogatószert.
Nedvesek az edények.	A mosogatóprogramnak nincs szárítási, vagy rövid szárítási fázisa van.	Jobb szárítási eredmény eléréséhez tartsa az ajtót nyitva néhány percig.
Az edények nedvesek és homályosak.	Az öblítőszer-adagoló üres.	Töltse fel az öblítőszer-adagolót öblítőszerrel.
	A multibab funkció be van kapcsolva (ez a funkció automatikusan kikapcsolja az öblítőszer-adagolást).	Kapcsolja be az öblítőszer-adagolót.

Az öblítőszer-adagoló bekapcsolása


1. Kapcsolja be a készüléket.
2. Győződjön meg arról, hogy a készülék beállítási módban van.
3. Egyszerre nyomja meg, és tartsa lenyomva a Delay és a Start gombokat, amíg az AUTO, PRO és a 30MIN villogni nem kezdenek.
4. Engedje el a Delay és a Start gombot.
5. Nyomja meg az Option gombot.
 - Az AUTO és a 30MIN programkijelzők kialszanak.
 - A PRO programjelző lámpa továbbra is villog.
 - A kijelző az öblítőszer-adagoló beállítását mutatja.


0d	Az öblítőszer-adagoló ki van kapcsolva.
1d	Az öblítőszer-adagoló be van kapcsolva.

6. A beállítás módosításához nyomja meg az Option gombot.
7. A megerősítéshez kapcsolja ki a készüléket


MŰSZAKI ADATOK


Gyártó védjegye	AEG
Forgalmazó	Electrolux Lehel Kft. Háztartási Készülékek, 1142 Budapest, Erzsébet kir.-né út 87.
Típusazonosító	FAVORIT 65000 I
Energiatartékonysági osztály (skála A-tól G-ig, ahol A - hatékonyabb: G - kevésbé hatékony)	A
A szabvány ciklus gyártó általi megnevezése, amelyre a címkén és az adatlapon található információ vonatkozik	ECO
Energiafelhasználás a szabvány ciklust alapul véve (a tényleges energiafelhasználás függ a készülék használatának a módjától) (kWh)	1
Tisztítási hatékonyság (skála A-tól G-ig, ahol A - magasabb: G - alacsonyabb)	A
Szárítási hatékonyság (skála A-tól G-ig, ahol A - magasabb: G - alacsonyabb)	A
A mosogatógép befogadó képessége szabványos teríték esetén	12 személyes
Vízfelhasználás a szabvány ciklus alapján (liter)	11
Szabvány ciklus programideje (perc)	160
Átlagos becsült évi energia- és vízfelhasználás 220 ciklusra kifejezve (kWh / liter)	220 / 2420
Szabvány ciklus alatti zajszint Db(A)	46
Méret Szélesség (mm)	596
Magasság munkafelülettel (mm)	818 - 898
Max. mélység (mm)	575
Összteljesítmény (W)	2200
Hálózati víznyomás Minimum (bar) - Maximum (bar)	0,5 8

 Az elektromos csatlakoztatásra vonatkozó adatok a készülék ajtajának belső szélén lévő adattáblán láthatók.

 Ha a meleg víz alternatív energiaforrásokból származik (pl. napelemek, fotovoltikus panelek vagy szélenergia), akkor használja a melegvíz-vezeték az energiafogyasztás csökkentése érdekében.

KÖRNYEZETVÉDELMI TUDNIVALÓK

A terméken vagy a csomagoláson található  szimbólum azt jelzi, hogy a termék nem kezelhető háztartási hulladékként. Ehelyett a terméket el kell szállítani az elektromos és elektronikai készülékek újrahasznosítására szakosodott megfelelő begyűjtő helyre. Azzal, hogy gondoskodik ezen termék helyes hulladékba helyezéséről, segít megelőzni azokat, a környezetre és az emberi egészségre gyakorolt potenciális kedvezőtlen következményeket, amelyeket ellenkező esetben a termék nem megfelelő hulladékkezelése okozhatna. Ha részletesebb tájékoztatásra van szüksége a termék újrahasznosítására vonatkozóan, kérjük, lépjen kapcsolatba a helyi önkormányzattal, a háztartási hulladékok kezelését végző szolgálattal vagy azzal a bolttal, ahol a terméket vásárolta.

A következő jelzéssel ellátott anyagokat hasznosítsa újra: . A csomagolást helyezze a megfelelő konténerekbe.

Z MYŚLĄ O PERFEKCYJNYCH REZULTATACH

Dziękujemy za wybór tego produktu AEG. Zaprojektowaliśmy go z myślą o wieloletniej bezawaryjnej pracy i wyposażyliśmy w innowacyjne technologie, które ułatwiają życie — nie wszystkie te funkcje można znaleźć w zwykłych urządzeniach. Prosimy o poświęcenie kilku minut na lekturę w celu zapewnienia najlepszego wykorzystania urządzenia.

AKCESORIA I MATERIAŁY EKSPLOATACYJNE

W sklepie internetowym AEG można znaleźć wszystko co niezbędne do utrzymania urządzeń AEG w doskonałym stanie technicznym i wizualnym. Wśród szerokiej gamy akcesoriów, zaprojektowanych i wyprodukowanych zgodnie z wysokimi standardami jakości, oferujemy specjalistyczne naczynia kuchenne, kosze na sztucce, półki na butelki oraz torby do delikatnego prania...



Odwiedź sklep internetowy pod adresem
www.aeg-electrolux.com/shop

SPIS TREŚCI

- 47 Informacje dotyczące bezpieczeństwa
- 51 Opis urządzenia
- 52 Panel sterowania
- 54 Eksploatacja urządzenia
- 55 Ustawianie zmiękczacza wody
- 56 Wsypanie soli do zmywarki
- 57 Używanie detergentu i płynu nablyszczającego
- 58 Uniwersalna tabletki do zmywarki
- 58 Wkładanie sztućców i naczyń
- 59 Programy zmywania
- 60 Wybór i uruchamianie programu zmywania
- 62 Konserwacja i czyszczenie
- 63 Co zrobić, gdy...
- 66 Dane techniczne
- 67 Ochrona środowiska

W niniejszej instrukcji użyte zostały następujące symbole:



Ważne informacje dotyczące bezpieczeństwa użytkownika oraz prawidłowej eksploatacji urządzenia.



Informacje i wskazówki ogólne



Informacje dot. ochrony środowiska

Producent zastrzega sobie możliwość wprowadzenia zmian bez wcześniejszego powiadomienia



INFORMACJE DOTYCZĄCE BEZPIECZEŃSTWA

Przed instalacją i eksploatacją urządzenia należy uważnie przeczytać tę instrukcję obsługi:

- Ze względu na własne bezpieczeństwo oraz bezpieczeństwo mienia.
- Mając na uwadze ochronę środowiska.
- Aby zapewnić prawidłowe działanie urządzenia.

Instrukcję należy przechowywać wraz z urządzeniem, również w przypadku przeprowadzki lub odstąpienia urządzenia innemu użytkownikowi.

Producent nie ponosi odpowiedzialności za uszkodzenia spowodowane nieprawidłową instalacją i eksploatacją.

Bezpieczeństwo dzieci i osób o ograniczonych zdolnościach ruchowych, sensorycznych lub umysłowych

- Urządzenia nie powinny używać osoby (w tym dzieci) o ograniczonych zdolnościach ruchowych, sensorycznych lub umysłowych, a także nieposiadające doświadczenia i wiedzy niezbędnej do jego obsługi. Osoby te mogą obsługiwać urządzenie wyłącznie pod nadzorem lub po odpowiednim poinstruowaniu przez osobę odpowiedzialną za ich bezpieczeństwo.
- Wszystkie opakowania należy przechowywać poza zasięgiem dzieci. Istnieje ryzyko uduszenia lub odniesienia obrażeń.
- Przechowywać detergenty w bezpiecznym miejscu. Nie dopuszczać do kontaktu dzieci z detergentami.
- Dzieci i zwierzęta domowe nie powinny znajdować się w pobliżu urządzenia, gdy jego drzwi są otwarte.

Ogólne zasady bezpieczeństwa

- Nie zmieniać parametrów technicznych urządzenia. Istnieje ryzyko odniesienia obrażeń i uszkodzenia urządzenia.
- Aby uniknąć poparzenia oczu, ust i gardła, należy przestrzegać instrukcji bezpieczeństwa dostarczonych przez producenta detergentu.
- Nie pić wody z urządzenia. W urządzeniu mogą być obecne cząsteczki detergentów.
- Nie pozostawiać drzwi urządzenia otwartych bez nadzoru. Pozwoli to uniknąć potknięcia się o otwarte drzwi i potencjalnych obrażeń.
- Nie wolno siadać ani stawać na otwartych drzwiach urządzenia.

Użytkowanie

- Urządzenie jest przeznaczone wyłącznie do użytku w gospodarstwie domowym. Aby uniknąć obrażeń ciała i szkód materialnych, nie należy używać urządzenia do innych celów.
- Urządzenie służy wyłącznie do zmywania naczyń i sprzętów domowych nadających się do mycia w zmywarce.
- Nie umieszczać łatwopalnych produktów lub przedmiotów nasączonych łatwopalnymi produktami w urządzeniu, na nim lub w jego pobliżu. Występuje ryzyko wybuchu lub pożaru.

- Noże i wszystkie przedmioty z ostrymi końcówkami umieszczać w koszu na sztućce, ostrym końcem skierowanym w dół. Można je również układać w pozycji poziomej w górnym koszu lub koszyku na noże. (nie wszystkie modele są wyposażone w kosz na noże).
- Używać wyłącznie produktów przeznaczonych do zmywarek (detergentu, soli oraz płynu nablyszczającego).
- Sól, która nie jest przeznaczona do zmywarek może spowodować uszkodzenie zmiękczacza wody.
- Sól w urządzeniu należy uzupełniać bezpośrednio przed uruchomieniem programu zmywania. Resztki soli pozostające w urządzeniu mogą spowodować korozję lub perforację dna urządzenia.
- Nie należy wlewać do dozownika płynu nablyszczającego żadnych innych substancji (środków do czyszczenia zmywarek, detergentów w płynie). Może to spowodować uszkodzenie urządzenia.
- Przed uruchomieniem programu zmywania upewnić się, że ramiona spryskujące mogą się swobodnie obracać.
- W przypadku otwarcia drzwi podczas cyklu zmywania może dojść do uwolnienia gorącej pary. Istnieje ryzyko poparzenia ciała.
- Nie wyjmować naczyń z urządzenia przed zakończeniem programu zmywania.

Konserwacja i czyszczenie

- Przed przystąpieniem do czyszczenia urządzenia należy je wyłączyć i wyjąć wtyczkę przewodu zasilającego z gniazdka.
- Nie stosować łatwopalnych produktów lub produktów powodujących korozję.
- Nie używać urządzenia bez filtrów. Należy upewnić się, że filtry są prawidłowo zainstalowane. Nieprawidłowa instalacja filtrów spowoduje niezadowalające rezultaty mycia oraz może spowodować uszkodzenie urządzenia.
- Do czyszczenia urządzenia nie wolno używać wody pod ciśnieniem ani pary wodnej. Istnieje zagrożenie porażenia prądem lub uszkodzenia urządzenia.

Instalacja

- Upewnić się, czy urządzenie nie jest uszkodzone. Nie instalować ani nie podłączać uszkodzonego urządzenia; skontaktować się z dostawcą.
- Przed zainstalowaniem i rozpoczęciem użytkowania urządzenia należy je całkowicie rozpakować.
- Podłączenie do sieci elektrycznej, instalacji wodnej oraz instalacja urządzenia muszą być wykonane przez wykwalifikowaną osobę. Pozwoli to uniknąć ryzyka istotnych uszkodzeń lub obrażeń ciała.
- Upewnić się, że podczas instalacji wtyczka przewodu zasilającego jest wyjęta z gniazdka.
- Nie wolno nawiercać ścian bocznych urządzenia, ponieważ może dojść do uszkodzenia części hydraulicznych lub elektrycznych.
- **Ważne!** Należy przestrzegać instrukcji podanych na szablonie dostarczonym wraz z urządzeniem:
 - Aby zainstalować urządzenie.
 - Aby zamontować panel drzwiowy.

- Aby podłączyć doprowadzenie i spust wody.
- Należy zadbać o zainstalowanie urządzenia w meblach spełniających odpowiednie wymogi bezpieczeństwa.

Środki ostrożności w przypadku mrozu

- Nie instalować urządzenia w miejscach, w których temperatura jest niższa niż 0°C.
- Producent nie ponosi odpowiedzialności za uszkodzenia spowodowane przez mróz.

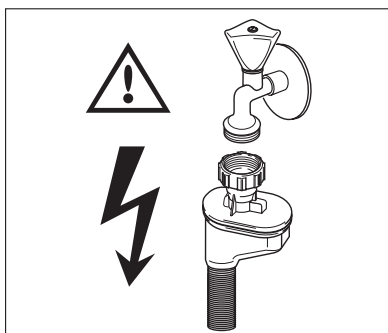
Podłączenie do sieci wodociągowej

- W celu podłączenia doprowadzenia wody należy użyć nowych węży. Nie stosować używanych węży.
- Nie podłączać urządzenia do nowych rur lub rur, które nie były używane przez długi czas. Odkręcić wodę na kilka minut, a następnie podłączyć wąż dopływowy.
- Podczas instalacji urządzenia należy zwrócić uwagę, aby nie przygnieść ani nie uszkodzić węży wodnych.
- Aby zapobiec wyciekom wody, po zainstalowaniu należy sprawdzić szczelność połączeń hydraulicznych.
- Podczas pierwszego uruchomienia urządzenia należy sprawdzić, czy węże nie przeciekają.
- Wąż dopływowy jest wyposażony w zawór bezpieczeństwa i podwójne ścianki z wewnętrznym przewodem zasilającym. Ciśnienie w wężu dopływowym jest obecne tylko podczas przepływu wody. W razie wycieku z węża dopływowego zawór bezpieczeństwa zatrzymuje przepływ.
 - Należy zachować ostrożność podczas podłączania węża dopływowego:
 - Nie wkładać węża dopływowego ani zaworu bezpieczeństwa do wody.
 - W razie uszkodzenia węża dopływowego lub zaworu bezpieczeństwa, natychmiast wyjąć wtyczkę z gniazdka.
 - Wąż dopływowy z zaworem bezpieczeństwa może być wymieniany wyłącznie przez autoryzowany serwis.



OSTRZEŻENIE!

Niebezpieczne napięcie.



Podłączenie do sieci elektrycznej

- Urządzenie musi być uziemione.

- Należy upewnić się, że informacje o podłączeniu elektrycznym podane na tabliczce znamionowej są zgodne z parametrami instalacji zasilającej.
- Należy zawsze używać prawidłowo zamontowanych gniazd sieciowych z uziemieniem.
- Nie używać rozdzielaczy ani przedłużaczy. Istnieje ryzyko pożaru.
- Nie zmieniać ani nie wymieniać samodzielnie przewodu zasilającego. Skontaktować się z punktem serwisowym.
- Należy zwrócić uwagę, aby nie przygnieść ani nie uszkodzić wtyczki oraz przewodu zasilającego za urządzeniem.
- Należy zadbać o to, aby po zakończeniu instalacji urządzenia wtyczka przewodu zasilającego była łatwo dostępna.
- Przy odłączaniu urządzenia nigdy nie ciągnąć za przewód zasilający. Należy zawsze ciągnąć za wtyczkę sieciową.

Autoryzowany serwis

- Naprawy urządzenia mogą wykonywać tylko wykwalifikowane osoby. Skontaktować się z punktem serwisowym.
- Używać wyłącznie oryginalnych części zamiennych.

Utylizacja urządzenia

- Aby uniknąć ryzyka obrażeń lub uszkodzeń:
 - Wyjąć wtyczkę z gniazdka.
 - Odciąć przewód zasilający i wyrzucić.
 - Wymontować zatrzask zamka drzwi. Zapobiega to ryzyku zamknięcia się dzieci lub zwierząt domowych we wnętrzu urządzenia. Istnieje ryzyko uduszenia.
 - Oddać urządzenie do złomowania w lokalnym punkcie utylizacji odpadów.

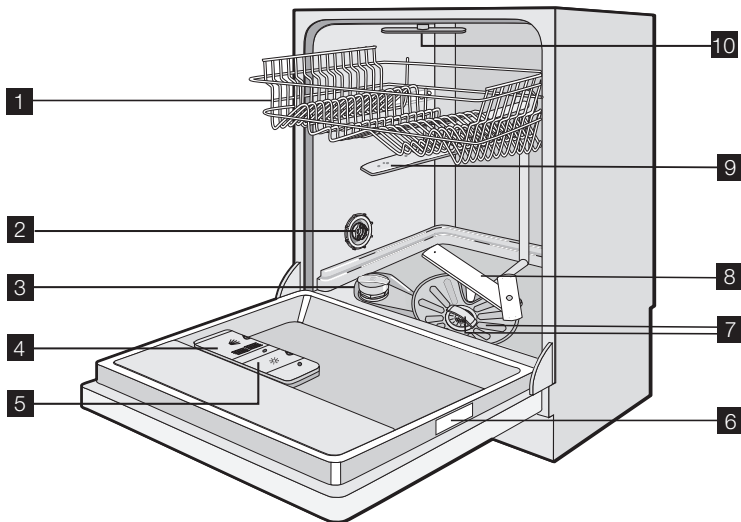


OSTRZEŻENIE!

Detergenty stosowane w zmywarce są niebezpieczne i mogą powodować korozję!

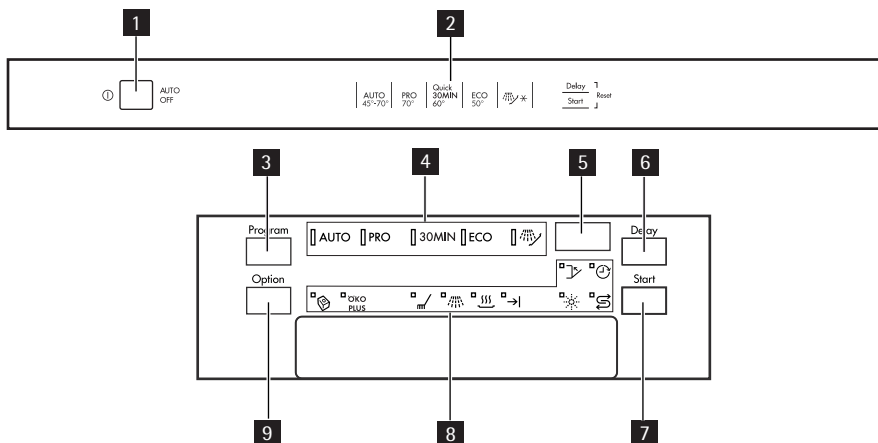
- Jeśli dojdzie do wypadku związanego z detergentami należy natychmiast skontaktować się z lekarzem.
- W przypadku dostania się detergentu do ust, należy natychmiast skontaktować się z lekarzem.
- W przypadku dostania się detergentu do oczu, należy natychmiast skontaktować się z lekarzem i przemyć oczy wodą.
- Detergenty do zmywarki należy przechowywać w bezpiecznym miejscu poza zasięgiem dzieci.
- Nie pozostawiać otwartych drzwi urządzenia, gdy w dozowniku znajduje się detergent.
- Napełniać dozownik detergentu bezpośrednio przed uruchomieniem programu zmywania.

OPIS URZĄDZENIA



- 1 Kosz górny
- 2 Regulacja ustawienia twardości wody
- 3 Pojemnik na sól
- 4 Dozownik detergentu
- 5 Dozownik płynu nablyszczającego
- 6 Tabliczka znamionowa
- 7 Filtry
- 8 Dolne ramię spryskujące
- 9 Górne ramię spryskujące
- 10 Sufitowe ramię spryskujące

PANEL STEROWANIA



- 1** Przycisk Wł./Wył.
- 2** Przewodnik po programach
- 3** Przycisk Program
- 4** Wskaźniki programów
- 5** Wyświetlacz
- 6** Przycisk Delay
- 7** Przycisk Start
- 8** Wskaźniki
- 9** Przycisk Option

Wskaźniki	
	Wskaźnik funkcji Multitab. Włącza się w momencie włączenia funkcji.
	Wskaźnik ÖKO PLUS. Włącza się w momencie włączenia funkcji.
	Wskaźnik fazy zmywania. Włącza się podczas fazy zmywania.
	Wskaźnik fazy płukania. Włącza się podczas fazy płukania.
	Wskaźnik fazy suszenia. Włącza się podczas fazy suszenia.
	Wskaźnik zakończenia programu. Włącza się, gdy skończy się program zmywania.
	Wskaźnik płynu nabyliczającego. Włącza się, gdy należy uzupełnić płyn nabyliczający. ¹⁾
	Wskaźnik soli. Zapala się, gdy należy uzupełnić sól. ¹⁾ Po napełnieniu zbiornika wskaźnik soli może nadal być włączony przez kilka godzin. Nie ma to negatywnego wpływu na działanie urządzenia.
	Wskaźnik Delay. Włącza się w momencie włączenia funkcji opóźnienia rozpoczęcia programu.

Wskaźniki



Wskaźnik drzwi. Włącza się w razie otwarcia lub nieprawidłowego zamknięcia drzwi.

1) Gdy zbiornik soli oraz/lub dozownik płynu nablyszczającego są puste, ich wskaźniki nie włączają się podczas programu zmywania.

Przycisk Wł./Wył.

Nacisnąć ten przycisk, aby włączyć lub wyłączyć urządzenie.

Po upływie dziesięciu minut od momentu zakończenia programu zmywania funkcja AUTO OFF powoduje automatyczne wyłączenie urządzenia. Pomaga to zmniejszyć zużycie energii.

Przewodnik po programach

Przewodnik ten jest pomocny w wyborze odpowiedniego programu zmywania.

Przycisk Program

Naciskać ten przycisk, dopóki nie włączy się wskaźnik programu zmywania. Patrz „Programy zmywania”.

Wyświetlacz

Na wyświetlaczu widoczne są:

- Ustawienie elektronicznej regulacji poziomu zmiekczenia wody.
- Włączenie i wyłączenie dozownika płynu nablyszczającego (tylko przy włączonej funkcji Multitab)
- Długość programu zmywania
- Czas pozostały do zakończenia programu zmywania
- Zakończenie programu zmywania (na wyświetlaczu pojawi się zero)
- Czas opóźnienia rozpoczęcia programu
- Kody alarmowe.

Przycisk Delay

Naciskać ten przycisk, aby ustawić opóźnienie rozpoczęcia programu zmywania w zakresie od 1 do 24 godzin.

Przycisk Start

Nacisnąć ten przycisk, aby rozpocząć:

- Program zmywania.
- Odliczanie czasu opóźnienia rozpoczęcia programu.

Przycisk Option

Nacisnąć ten przycisk, aby ustawić funkcje.

Po włączeniu danej funkcji włączy się odpowiedni wskaźnik.

Przycisk Option	Funkcja Multitab	ÖKO PLUS
Nacisnąć jeden raz	WŁĄCZONA	WYŁĄCZONA
Nacisnąć dwa razy	WYŁĄCZONA	WŁĄCZONA

Przycisk Option	Funkcja Multitab	ÖKO PLUS
Nacisnąć trzy razy	WŁĄCZONA	WŁĄCZONA
Nacisnąć cztery razy	WYŁĄCZONA	WYŁĄCZONA

Funkcje

Funkcja Multitab

W przypadku używania tabletek do zmywarek („3 w 1”, „4 w 1”, „5 w 1”) należy wybrać funkcję Multitab. Patrz „Funkcja Multitab”.

Funkcja ÖKO PLUS

Funkcja ta zmniejsza temperaturę w fazie suszenia. Zużycie energii spada o 25%.

Po zakończeniu programu i otwarciu drzwi urządzenia naczynia mogą być mokre. Zaleca się pozostawienie uchylonych drzwi urządzenia do czasu wyschnięcia naczyń.

Tryb ustawiania

Tryb ustawiania jest wymagany, aby wykonać następujące czynności:

- Ustawić i uruchomić program zmywania.
- Ustawić i włączyć opóźnienie rozpoczęcia programu.
- Dokonać elektronicznej regulacji poziomu zmiękczenia wody.
- Wyłączyć lub włączyć dozownik płynu nablyszczającego (tylko przy włączonej funkcji Multitab).

Włączyć urządzenie. Urządzenie znajduje się w trybie ustawiania, gdy:

- Wskaźniki wszystkich programów są włączone.
- Na wyświetlaczu widoczne są dwa poziome paski stanu.

Włączyć urządzenie. Urządzenie nie znajduje się w trybie ustawiania, gdy:

- Włączony jest wskaźnik tylko jednego programu.
- Wyświetlacz pokazuje czas trwania programu zmywania lub opóźnienia rozpoczęcia programu.
 - Aby powrócić do trybu ustawiania, należy anulować program lub opóźnienie rozpoczęcia programu. Patrz „Wybór i uruchamianie programu zmywania”.

EKSPLOATACJA URZĄDZENIA

1. Sprawdzić, czy ustawiony poziom zmiękczenia wody odpowiada twardości wody doprowadzanej do urządzenia. Jeśli nie, ustawić poziom zmiękczenia wody.
2. Napęlnić zbiornik soli solą do zmywarek.
3. Napęlnić dozownik płynu nablyszczającego płynem nablyszczającym.
4. Włożyć naczynia i sztućce do urządzenia.
5. Ustawić program zmywania odpowiedni do rodzaju naczyń i stopnia zabrudzenia.
6. Napęlnić dozownik detergentu odpowiednią ilością detergentu.
7. Uruchomić program zmywania.

i W przypadku stosowania tabletek do zmywarek („3 w 1”, „4 w 1”, „5 w 1” itp.) należy wybrać funkcję Multitab (patrz „Funkcja Multitab”).

USTAWIANIE ZMIĘKCZACZA WODY

Zmiękcacz wody usuwa minerały i sole z doprowadzanej wody. Minerale te i sole mogą spowodować uszkodzenie urządzenia.

Odpowiednio ustawić poziom zmiękczenia wody, jeśli nie odpowiada on twardości wody doprowadzanej do urządzenia.

Skontaktować się z miejscowym zakładem wodociągowym, aby ustalić stopień twardości wody doprowadzanej do urządzenia.

Twardość wody				Ustawienie poziomu zmiękczenia wody	
Stopnie niemiec- kie (°dH)	Stopnie francu- skie (°TH)	mmol/l	Stopnie Clar- ka	ręczne	elektroniczne
51 - 70	91 - 125	9,1 - 12,5	64 - 88	2 ¹⁾	10
43 - 50	76 - 90	7,6 - 9,0	53 - 63	2 ¹⁾	9
37 - 42	65 - 75	6,5 - 7,5	46 - 52	2 ¹⁾	8
29 - 36	51 - 64	5,1 - 6,4	36 - 45	2 ¹⁾	7
23 - 28	40 - 50	4,0 - 5,0	28 - 35	2 ¹⁾	6
19 - 22	33 - 39	3,3 - 3,9	23 - 27	2 ¹⁾	5 ¹⁾
15 - 18	26 - 32	2,6 - 3,2	18 - 22	1	4
11 - 14	19 - 25	1,9 - 2,5	13 - 17	1	3
4 - 10	7 - 18	0,7 - 1,8	5 - 12	1	2
< 4	< 7	< 0,7	< 5	1 ²⁾	1 ²⁾

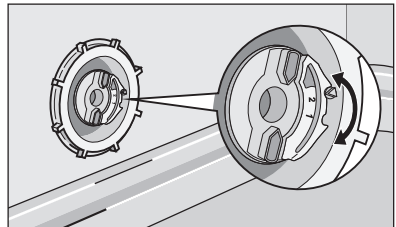
1) Ustawienie fabryczne.

2) Przy tym poziomie nie stosować soli.

i Poziom zmiękczenia wody należy ustawić ręcznie oraz elektronicznie.

Regulacja ręczna

Obrócić pokrętkę ustawienia twardości wody w położenie 1 lub 2 (patrz tabela).



Ustawienie elektroniczne

1. Włączyć urządzenie.
2. Upewnić się, że urządzenie znajduje się w trybie ustawiania.
3. Jednocześnie nacisnąć i przytrzymać przyciski Delay oraz Start, dopóki nie zaczną migać wskaźniki programów AUTO, PRO i 30MIN.
4. Zwolnić przyciski Delay i Start.
5. Nacisnąć przycisk Program.
 - Wskaźniki programów PRO i 30MIN wyłączą się.
 - Wskaźnik programu AUTO nadal będzie migał.
 - Na wyświetlaczu widoczne jest ustawienie zmiękczacza wody (przykład: $S L =$ poziom 5).
6. Naciskać przycisk Program, aby zmienić ustawienie.
7. Wyłączyć urządzenie w celu potwierdzenia.

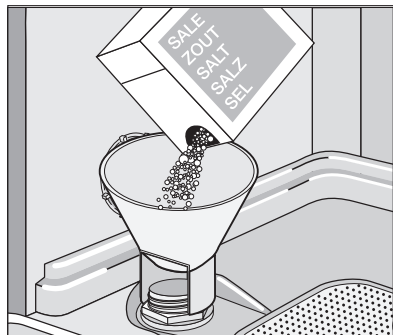


Jeśli funkcja zmiękczenia wody jest ustawiona elektronicznie na poziomie 1, wskaźnik soli nie włącza się.

WSYPYWANIE SOLI DO ZMYWARKI

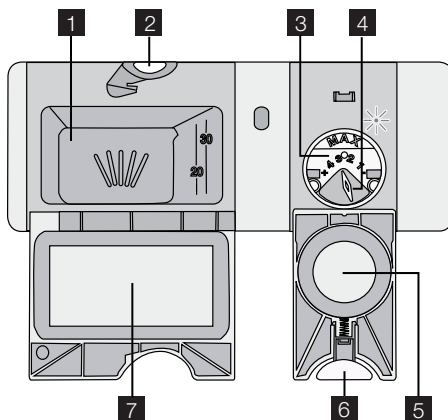
Napełnianie zbiornika soli

1. Obrócić pokrywkę w kierunku przeciwnym do ruchu wskazówek zegara i otworzyć zbiornik soli.
2. Wlać do zbiornika soli 1 litr wody (tylko podczas pierwszego wsypywania soli).
3. Do napełnienia zbiornika solą należy użyć lejka.
4. Usunąć sól rozsypaną wokół otworu zbiornika soli.
5. Obrócić pokrywkę w kierunku zgodnym z ruchem wskazówek zegara, aby zamknąć zbiornik soli.



Normalnym zjawiskiem jest wypływanie wody ze zbiornika podczas napełniania go solą.

UŻYWANIE DETERGENTU I PŁYNU NABLISZCZĄJĄCEGO



Stosowanie detergentu



Aby chronić środowisko, nie należy używać większych ilości detergentu niż zalecane. Należy przestrzegać zaleceń producenta podanych na opakowaniu detergentu.

Napełnianie dozownika detergentu:

1. Nacisnąć przycisk zwalniający **2** w celu otwarcia pokrywy **7** dozownika detergentu.
2. Umieścić detergent w dozowniku **1**.
3. Jeśli program zmywania przewiduje fazę zmywania wstępnego, umieścić niewielką ilość detergentu na wewnętrznej stronie drzwi urządzenia.
4. W przypadku używania detergentu w tabletkach, umieścić tabletkę w dozowniku detergentu **1**.
5. Zamknąć dozownik detergentu. Docisnąć pokrywę, aż zaskoczy na swoje miejsce.



W przypadku używania tabletek do zmywarek zaleca się korzystanie z długich programów zmywania. Wynika to z faktu, że w krótkich programach zmywania tabletki mogą nie rozpuszczać się całkowicie, co może niekorzystnie wpływać na wyniki zmywania.

Wlewanie płynu nablyszczającego



Płyn nablyszczający umożliwia wysuszenie naczyń bez smug i plam.

Płyn nablyszczający jest automatycznie podawany przez dozownik podczas ostatniej fazy płukania.

Aby napełnić dozownik płynu nablyszczającego, należy wykonać następujące czynności:

1. Nacisnąć przycisk zwalniający **6** w celu otwarcia pokrywy **5** dozownika płynu nablyszczającego.
2. Napełnić odpowiedni dozownik **3** płynem nablyszczającym. Oznaczenie „max” wskazuje maksymalny poziom.

3. Rozlany płyn nablyszczający należy usunąć za pomocą chłonnej szmatki, aby zapobiec powstaniu zbyt dużej ilości piany podczas programu zmywania.
4. Zamknąć dozownik płynu nablyszczającego. Docisnąć pokrywę, aż zaskoczy na swoje miejsce.

Regulacja dozowania płynu nablyszczającego

Ustawienie fabryczne: położenie 3.

Dozowanie płynu nablyszczającego można ustawić w zakresie od 1 (najmniejsze dozowanie) do 4 (największe dozowanie).

Obrócić pokrętkę regulacji dozowania płynu nablyszczającego **4**, aby zwiększyć lub zmniejszyć dozowanie.

UNIWERSALNA TABLETKA DO ZMYWARKI

Funkcja Multitab jest przeznaczona dla tabletek do zmywarek.

Tabletki te zawierają takie składniki jak: detergent, środek nablyszczający i sól do zmywarek. Niektóre typy tabletek mogą zawierać również inne środki.

Należy sprawdzić, czy dane tabletki są odpowiednie do stopnia twardości wody doprowadzanej do zmywarki (patrz instrukcje podane na opakowaniu produktu).

Włączenie funkcji Multitab powoduje zatrzymanie dozowania płynu nablyszczającego i soli.

Wyłączenie funkcji Multitab powoduje wyłączenie wskaźników soli i płynu nablyszczającego.

Po wybraniu funkcji Multitab czas trwania programu może ulec wydłużeniu.



Włączyć lub wyłączyć funkcję Multitab przed rozpoczęciem programu zmywania. Funkcji Multitab nie można włączyć ani wyłączyć w czasie trwania programu zmywania.

Funkcję Multitab należy zawsze włączać przed uruchomieniem programu zmywania.

Aby wyłączyć funkcję Multitab i stosować oddzielnie detergent, sól i płyn nablyszczający:

1. Nacisnąć i przytrzymać przycisk Option, dopóki nie wyłączy się wskaźnik funkcji Multitab. Funkcja jest wyłączona.
2. Uzupelnąć zbiornik soli i dozownik płynu nablyszczającego.
3. Ustawić najwyższy poziom zmiękczenia wody.
4. Uruchomić program zmywania bez naczyń.
5. Po zakończeniu programu zmywania ustawić poziom zmiękczenia wody odpowiednio do twardości wody doprowadzanej do urządzenia.
6. Wyregulować dozowanie płynu nablyszczającego.

WKŁADANIE SZTUČCÓW I NACZYŃ



Patrz ulotka „Przykładowe rozmieszczenia naczyń ProClean”.


Porady i wskazówki

- Nie wkładać do urządzenia przedmiotów, które mogą pochłaniać wodę (gąbki, ściereczki).
- Usunąć z naczyń resztki jedzenia.

- Namoczyć przypalone resztki potraw.
- Wydrążone elementy (kubki, szklanki i miski) układać otworami w dół.
- Upewnić się, że woda nie zbiera się w pojemnikach lub miskach.
- Upewnić się, że naczynia i sztucce nie przylegają do siebie.
- Szklanki nie mogą stykać się ze sobą.
- Małe elementy umieścić w koszu na sztucce.
- Wymieszać łyżki z innymi sztuczkami, aby nie przylegały do siebie.
- Naczynia należy wkładać do koszy w taki sposób, aby woda miała dostęp do wszystkich powierzchni.
- Lekkie elementy umieścić w koszu górnym. Upewnić się, że naczynia się nie przemieszczają.
- Na elementach plastikowych i miskach z powłoką zapobiegającą przywieraniu mogą zastrzymać się krople wody.


PROGRAMY ZMYWANIA

Program	Rodzaj zabrudzenia	Rodzaj załadunku	Opis programu	Funkcja ÖKO PLUS
AUTO 1)	Wszystkie	Naczynia stołowe, sztucce, garnki i patelnie	Zmywanie wstępne Zmywanie w temperaturze 45°C lub 70°C Płukania Suszenie	Tak, ma wpływ
PRO	Duże	Naczynia stołowe, sztucce, garnki i patelnie	Zmywanie wstępne Zmywanie w temperaturze 70°C Płukania Suszenie	Tak, ma wpływ
30MIN 2)	Średnie lub lekkie	Naczynia stołowe i sztucce	Zmywanie w temperaturze 60°C Płukanie	Tak, nie ma wpływu
ECO 3)	Średnie	Naczynia stołowe i sztucce	Zmywanie wstępne Zmywanie w temperaturze 50°C Płukania Suszenie	Tak, ma wpływ


Program	Rodzaj zabrudzenia	Rodzaj załadunku	Opis programu	Funkcja ÖKO PLUS
	Program ten służy do szybkiego płukania naczyń. Zapobiega to zasychaniu resztek jedzenia na naczyńkach i powstawaniu przykrych zapachów. W przypadku tego programu nie należy stosować detergentu.		Płukanie	Tak, nie ma wpływu

- 1) Urządzenie wykrywa rodzaj zabrudzenia oraz ilość naczyń i przyborów kuchennych włożonych do koszy. Automatycznie reguluje temperaturę i ilość wody, a także pobór prądu oraz czas trwania programu.
- 2) Program ten umożliwi zmywanie świeżo zabrudzonych naczyń. Zapewnia on dobre wyniki zmywania w krótkim czasie.
- 3) Standardowy program dla ośrodków przeprowadzających testy. W tym programie uzyskuje się największą efektywność zużycia wody i energii elektrycznej podczas zmywania średnio zabrudzonych naczyń i sztućców. Dane z testów przedstawiono w ulotce dołączonej do urządzenia.

Parametry eksploatacyjne

Program ¹⁾	Zużycie energii (kWh)	Zużycie wody (litry)
AUTO	0,9 - 1,7	8 - 17
PRO	1,5 - 1,7	15 - 16
30MIN	0,9	9
ECO	1,0 - 1,1	10 - 11
	0,1	4

1) Na wyświetlaczu widoczny jest czas trwania programu.

 Podane parametry eksploatacyjne mogą ulec zmianie w zależności od ciśnienia i temperatury wody, zmian w napięciu zasilania oraz ilości naczyń.

WYBÓR I URUCHAMIANIE PROGRAMU ZMYWANIA

Uruchamianie programu zmywania bez opóźnienia

1. Zamknąć drzwi urządzenia.
2. Włączyć urządzenie.
3. Upewnić się, że urządzenie znajduje się w trybie ustawiania.
4. Ustawić program zmywania.
 - Włączy się wskaźnik odpowiedniego programu.
 - Na wyświetlaczu zacznie migać czas trwania programu.
 - Włączą się wskaźniki ustawionego programu zmywania.
5. Jeśli to konieczne, ustawić funkcję ÖKO PLUS.
 - Funkcję tę można wybrać dopiero po ustawieniu programu zmywania.
6. Naciśnąć przycisk Start – ustawiony program zmywania rozpocznie się automatycznie.

- Wskaźniki faz programu wyłączą się, ale wskaźnik aktualnej fazy będzie nadal włączony.

Uruchamianie programu zmywania z opóźnieniem

1. Zamknąć drzwi urządzenia.
 2. Włączyć urządzenie.
 3. Upewnić się, że urządzenie jest w trybie ustawiania.
 4. Ustawić program zmywania i funkcje.
 5. Naciskać przycisk Delay, dopóki na wyświetlaczu nie pojawi się czas opóźnienia.
 - Na wyświetlaczu miga czas opóźnienia rozpoczęcia programu.
 - Wskaźnik opóźnienia rozpoczęcia programu jest włączony.
 6. Nacisnąć przycisk Start; odliczanie rozpocznie się automatycznie.
 - Czas opóźnienia rozpoczęcia programu przestanie migać na wyświetlaczu.
 - Wyłączą się wskaźniki faz ustawionego programu zmywania.
- Po zakończeniu odliczania czasu opóźnienia program zmywania rozpocznie się automatycznie.
 - Wskaźnik aktualnej fazy programu jest włączony.



Otwarcie drzwi urządzenia zatrzymuje odliczanie. Po ponownym zamknięciu drzwi odliczanie jest kontynuowane od momentu przerwania.

Anulowanie funkcji opóźnienia rozpoczęcia programu

Odliczanie nie działa

1. Naciskać przycisk Delay aż:
 - Na wyświetlaczu pojawi się czas trwania programu zmywania.
 - Włączą się wskaźniki faz programów.
2. Nacisnąć przycisk Start, aby rozpocząć program zmywania.

Odliczanie działa

1. Naciskać przycisk Delay aż:
 - Na wyświetlaczu pojawi się czas trwania programu zmywania.
 - Włączą się wskaźniki faz programów.
- Program zmywania rozpocznie się automatycznie.

Przerwanie programu zmywania

- Otworzyć drzwi urządzenia.
 - Program zmywania zostanie zatrzymany.
- Zamknąć drzwi urządzenia.
 - Program zmywania zostanie wznowiony od momentu, w którym został przerwany.

Anulowanie programu zmywania

Jeśli program zmywania nie rozpoczął się, istnieje możliwość zmiany ustawień. Aby dokonać zmiany ustawień po rozpoczęciu programu, należy anulować program.

- Jednocześnie nacisnąć i przytrzymać przyciski Delay i Start aż:

- Włączą się wskaźniki wszystkich programów.
- Na wyświetlaczu widoczne będą dwa poziome paski stanu.



Przed uruchomieniem nowego programu zmywania należy upewnić się, że w dozowniku znajduje się detergent.

Zakończenie programu zmywania

Po zakończeniu programu zmywania na wyświetlaczu pojawia się zero i włącza się wskaźnik zakończenia programu.

1. Wyłączyć urządzenie.
2. Otworzyć drzwi urządzenia.
3. Aby naczynia lepiej wyschły, drzwi urządzenia należy pozostawić na kilka minut uchylone.

Opróżnianie koszy

- Należy odczekać aż naczynia wystygną przed ich wyjęciem z urządzenia. Gorące naczynia łatwo ulegają uszkodzeniu.
- Najpierw wyjmować naczynia z dolnego kosza, a następnie z górnego.
- Na ścianach i na drzwiach urządzenia może występować woda. Stal nierdzewna stygnie szybciej niż naczynia.

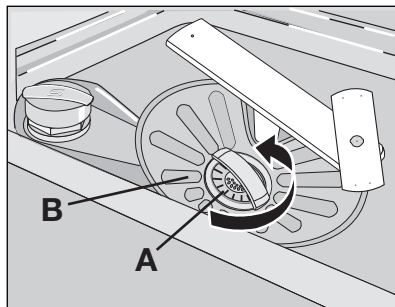
KONSERWACJA I CZYSZCZENIE

Wymywanie i czyszczenie filtrów

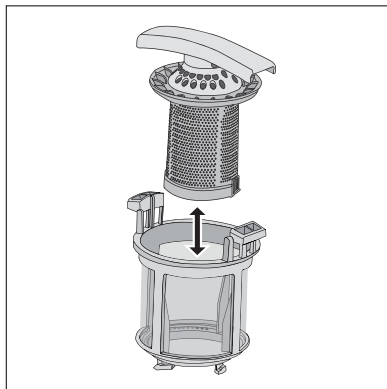
Brudne filtry pogarszają wyniki zmywania.

Mimo że tego typu filtry nie wymagają częstej konserwacji, zaleca się ich okresowe sprawdzanie i w razie potrzeby oczyszczanie.

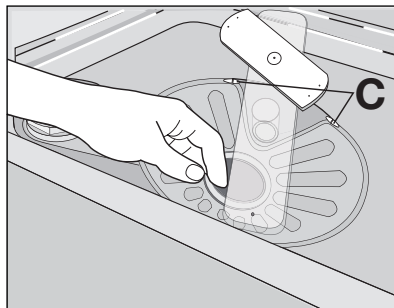
1. Obrócić filtr (A) w kierunku przeciwnym do ruchu wskazówek zegara, a następnie wyjąć go z filtra (B).



2. Filtr (A) składa się z dwóch części. Aby rozebrać filtr, części te należy odciągnąć od siebie.
3. Dokładnie wyczyścić części filtra wodą.
4. Złożyć dwie części filtra (A) ze sobą i docisnąć. Sprawdzić, czy elementy odpowiednio połączyły się ze sobą.
5. Wyjąć filtr (B).
6. Dokładnie umyć filtr (B) wodą.



7. Umieścić filtr (B) w pierwotnym położeniu. Sprawdzić, czy jest prawidłowo zamontowany w dwóch zaczepach (C).
8. Umieścić filtr (A) na swoim miejscu w filtrze (B). Obrócić filtr (A) w kierunku zgodnym z ruchem wskazówek zegara aż do zablokowania.



Czyszczenie ramion spryskujących

Nie demontować ramion spryskujących.

Jeżeli otwory w ramionach spryskujących ulegną zatkaniu, zabrudzenia należy usunąć przy pomocy cienkiego i zaostrego przedmiotu.

Czyszczenie zewnętrznych powierzchni

Oczyścić zewnętrzne powierzchnie urządzenia oraz panel sterowania wilgotną miękką ściereczką.

Używać wyłącznie neutralnych środków do czyszczenia.

Nie używać produktów ściernych, myjek do szorowania ani rozpuszczalników (np. acetonu).

CO ZROBIĆ, GDY...

Urządzenie nie daje się uruchomić lub przestaje działać podczas pracy.

W pierwszej kolejności należy spróbować ustalić przyczynę problemu (patrz tabela). Jeśli nie można rozwiązać problemu, należy skontaktować się z autoryzowanym serwisem.

W przypadku niektórych usterek na wyświetlaczu pojawia się kod alarmowy:

- **,10** - Urządzenie nie napełnia się wodą.
- **,20** - Urządzenie nie wypompowuje wody.
- **,30** - Włączyło się zabezpieczenie przed zalaniem.



OSTRZEŻENIE!

Przed przystąpieniem do sprawdzenia urządzenie należy wyłączyć.

Nieprawidłowe działanie	Możliwa przyczyna	Możliwe rozwiązanie
Urządzenie nie napelnia się wodą.	Zawór wody jest zablokowany lub pokryty osadem z kamienia.	Oczyścić zawór wody.
	Ciśnienie wody jest zbyt niskie.	Skontaktować się z miejscowym zakładem wodociągowym.
	Zamknięty zawór wody.	Otworzyć zawór wody.
	Zablokowany filtr w węży dopływowym.	Oczyścić filtr.
	Nieprawidłowe podłączenie węża dopływowego.	Sprawdzić, czy podłączenie jest prawidłowe.
Urządzenie nie wypompuje wody.	Wąż dopływowy jest uszkodzony.	Sprawdzić, czy wąż dopływowy nie jest uszkodzony.
	Zatkane rozgałęzienie syfonu zlewozmywaka.	Oczyścić rozgałęzienie syfonu zlewozmywaka.
	Nieprawidłowe podłączenie węża spustowego.	Sprawdzić, czy podłączenie jest prawidłowe.
Włączyło się zabezpieczenie przed zalaniem.	Wąż spustowy jest uszkodzony.	Sprawdzić, czy wąż spustowy nie jest uszkodzony.
		Zamknąć zawór wody i skontaktować się z punktem serwisowym.
Program zmywania nie uruchamia się.	Drzwi urządzenia są otwarte. Włączony jest wskaźnik drzwi.	Zamknąć drzwi urządzenia.
	Nie zostało dotknięte pole dotykowe lub nie został naciśnięty przycisk Start.	Dotknąć pola dotykowego lub nacisnąć przycisk Start.
	Wtyczka przewodu zasilającego nie została prawidłowo włożona do gniazdka.	Włożyć prawidłowo wtyczkę przewodu zasilającego do gniazdka.
	Uszkodzony bezpiecznik w skrzynce bezpieczników.	Wymienić bezpiecznik.
	Ustawiono opóźnienie rozpoczęcia programu.	<ul style="list-style-type: none"> Anulować opóźnienia rozpoczęcia programu. Po zakończeniu odliczania czasu opóźnienia program zmywania rozpocznie się automatycznie.

Po sprawdzeniu urządzenie należy włączyć. Program zostanie wznowiony od momentu, w którym został przerwany.

W razie ponownego wystąpienia problemu należy skontaktować się z punktem serwisowym. Jeśli wyświetlacz pokazuje inne kody alarmowe, należy skontaktować się z serwisem.

Informacje niezbędne dla serwisu znajdują się na tabliczce znamionowej.

Należy zanotować:

- Model (MOD.)
- Numer produktu (PNC)
- Numer seryjny (S.N.)

Rezultaty zmywania i suszenia są niezadowolające

Problem	Możliwa przyczyna	Możliwe rozwiązanie
Naczynia nie są czyste.	Wybrany program zmywania nie jest odpowiedni dla danego rodzaju załadunku lub stopnia zabrudzenia.	Należy upewnić się, czy wybrany program zmywania jest odpowiedni dla danego rodzaju załadunku oraz stopnia zabrudzenia.
	Kosze nie zostały załadowane prawidłowo, w wyniku czego woda nie mogła dotrzeć do wszystkich powierzchni.	Umieścić naczynia i przybory kuchenne prawidłowo w koszach.
	Ramiona spryskujące nie mogą się swobodnie obracać. Nieprawidłowe ułożenie naczyń i przyborów kuchennych w koszach.	Sprawdzić, czy niewłaściwe ułożenie naczyń nie powoduje zablokowania ramion spryskujących.
	Filtry są zabrudzone lub nieprawidłowo złożone i zamontowane.	Upewnić się, że filtry są czyste oraz prawidłowo złożone i zamontowane.
	Użyto za mało detergentu lub nie użyto go w ogóle.	Upewnić się, że użyto wystarczającej ilości detergentu.
Ślady kamienia na naczyniach.	Zbiornik soli jest pusty.	Napełnić zbiornik soli solą do zmywarek.
	Nieprawidłowa regulacja poziomu zmiękczacza wody.	Prawidłowo ustawić poziom zmiękczenia wody.
	Nieprawidłowe zamknięcie pokrywy zbiornika soli.	Upewnić się, czy zbiornik soli jest prawidłowo zamknięty.
Na szklankach i naczyniach widać smugi, białawe plamy lub niebieskawy nalot.	Zbyt duże dozowanie płynu nabyliczającego.	Zmniejszyć dozowanie płynu nabyliczającego.
Ślady kropeł wody na kieliszkach i na naczyniach.	Zbyt małe dozowanie płynu nabyliczającego.	Zwiększyć dozowanie płynu nabyliczającego.
	Przyczyną może być rodzaj użytego detergentu.	Użyć detergentu innej marki.
Naczynia są mokre.	Włączono program zmywania bez fazy suszenia lub ze skróconą fazą suszenia.	Aby naczynia lepiej wyschły, drzwi urządzenia należy pozostawić na kilka minut uchylone.
Naczynia są wilgotne i matowe.	Dozownik płynu nabyliczającego jest pusty.	Napełnić dozownik płynu nabyliczającego płynem nabyliczającym.

Problem	Możliwa przyczyna	Możliwe rozwiązanie
	Włączona funkcja Multitab (powoduje ona automatyczne wyłączenie dozownika płynu nablyszczającego).	Włączyć dozownik płynu nablyszczającego.

Włączanie dozownika płynu nablyszczającego

1. Włączyć urządzenie.
2. Upewnić się, że urządzenie znajduje się w trybie ustawiania.
3. Jednocześnie nacisnąć i przytrzymać przyciski Delay oraz Start, dopóki nie zaczną migać wskaźniki programów AUTO, PRO i 30MIN.
4. Zwolnić przyciski Delay i Start.
5. Nacisnąć przycisk Option.
 - Wskaźniki programów AUTO i 30MIN wyłączą się.
 - Wskaźnik programu PRO nadal będzie migał.
 - Na wyświetlaczu widoczne będzie ustawienie dozownika płynu nablyszczającego.

<i>0 d</i>	Dozownik płynu nablyszczającego jest wyłączony.
<i>1 d</i>	Dozownik płynu nablyszczającego jest włączony.

6. Nacisnąć przycisk Option, aby zmienić ustawienie.
7. Wyłączyć urządzenie w celu potwierdzenia.

DANE TECHNICZNE


Wymiary	Szerokość	596 mm
	Wysokość	818 - 898 mm
	Głębokość	575 mm
Ciśnienie doprowadzanej wody	Wartość minimalna	0,5 bara (0,05 MPa)
	Wartość maksymalna	8 barów (0,8 MPa)
Dopływ wody ¹⁾	Zimna lub ciepła woda	maksimum 60°C
Pojemność	Liczba standardowych nakryć	12


1) Podłączyć wąż doprowadzający wodę do zaworu z gwintem 3/4".

i Informacje dotyczące podłączenia elektrycznego znajdują się na tabliczce znamionowej umieszczonej na wewnętrznej krawędzi drzwi urządzenia.

i Jeżeli ciepła woda jest wytwarzana przy pomocy alternatywnych źródeł energii (np. kolektory słoneczne, ogniwa słoneczne lub elektrownie wiatrowe), można użyć jej do zasilania urządzenia, aby zmniejszyć zużycie energii.

OCHRONA ŚRODOWISKA

Symbol  na produkcie lub na opakowaniu oznacza, że tego produktu nie wolno traktować tak, jak innych odpadów domowych. Należy oddać go do właściwego punktu skupu surowców wtórnych zajmującego się złomowanym sprzętem elektrycznym i elektronicznym. Właściwa utylizacja i złomowanie pomaga w eliminacji niekorzystnego wpływu złomowanych produktów na środowisko naturalne oraz zdrowie. Aby uzyskać szczegółowe dane dotyczące możliwości recyklingu niniejszego urządzenia, należy skontaktować się z lokalnym urzędem miasta, służbami oczyszczania miasta lub sklepem, w którym produkt został zakupiony.

Materiały oznaczone symbolem  powinny być poddane ponownemu przetworzeniu. Wy rzucić elementy opakowania do odpowiednich pojemników, aby zostały poddane recyklingowi.

